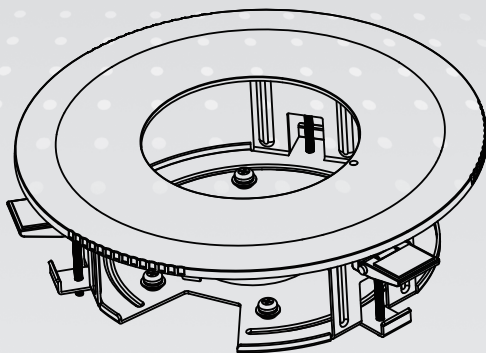


VIVOTEK Fixed Dome Series
AM-10H Recessed-mount Bracket

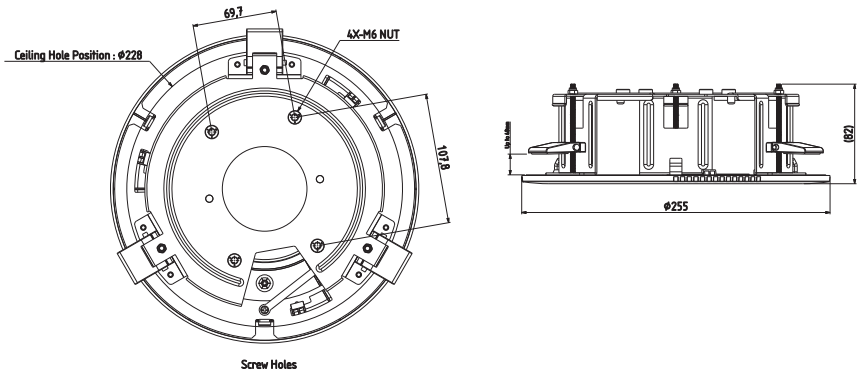
User's Manual

Corresponding part number: VIO900073500



Rev. 1.0

AM-10H Recessed-mount Bracket Mechanical Drawing



Package Contents

- Recessed-mount bracket
- Screws: M6x12 SEMS x4
- Alignment sticker
- Installation Guide

Revision History

- Rev. 1.0: Initial release.

I Compatible VIVOTEK Cameras

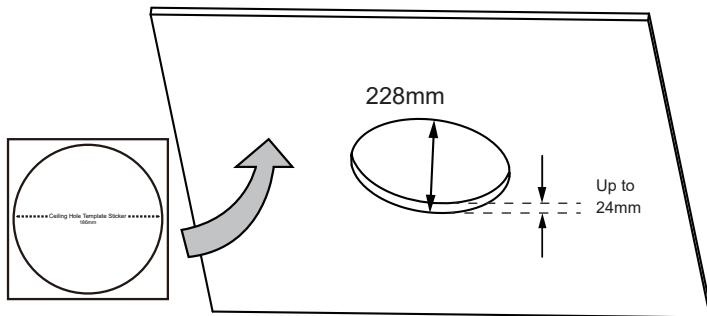
Fixed Dome series	FD9167-HT-v2, FD9367-EHTV-v2, FD9365-EHTV-v2, FD9391-EHTV-v2
-------------------	---

You may also refer to VIVOTEK's website for the list of supported models. Support for other models can be available through time.

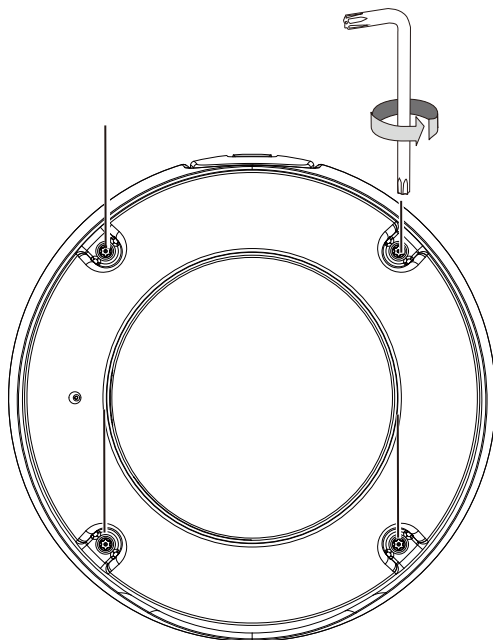
II Installation

Mounting Hole Definitions

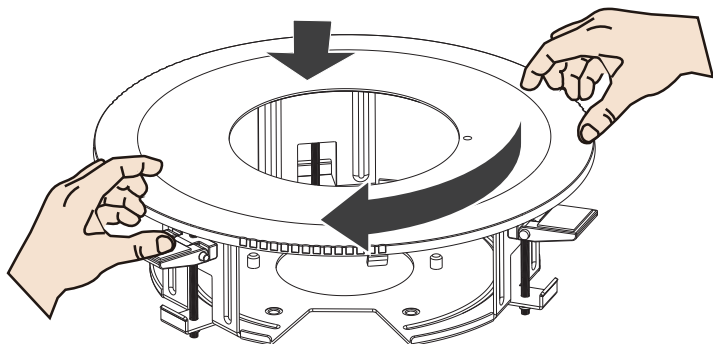
1. Determine a secure location for the recessed-mount bracket.
2. Drill or cut a 228mm hole (in diameter). The maximum thickness of the ceiling/board is 24mm. The ceiling should be able sustain at least a weight of 3.3kg.



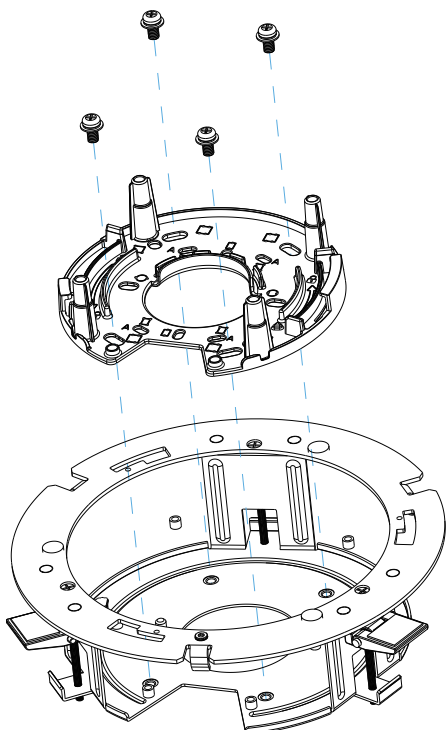
3. Remove dome cover from the camera using the stardriver included in kit.



4. Detach the dome cover from the recessed mount.



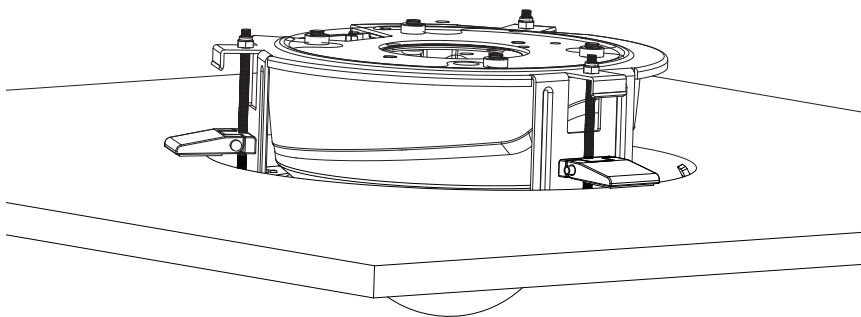
5. Install camera to the recessed-mount bracket by driving screws.



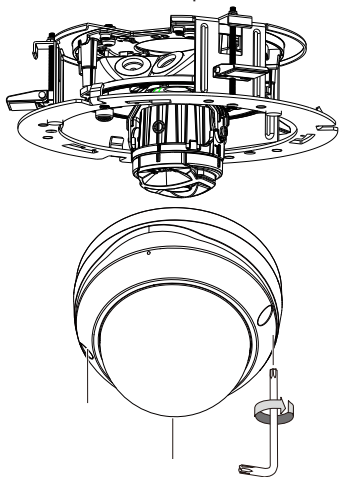
**NOTE:**

1. Connect and route cables before you secure the recessed-mount bracket to a ceiling.
2. For details on the cable connections with each camera, please refer to their Quick Installation Guide.

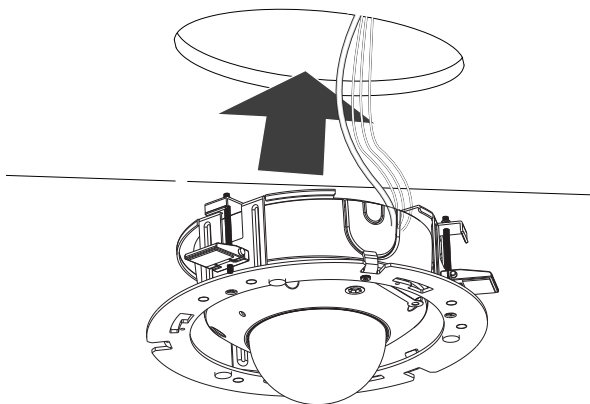
Optional: You can tie up a tether line to the top of the bracket in case the bracket may fall during the installation.



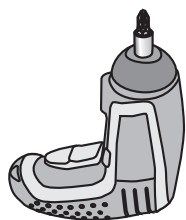
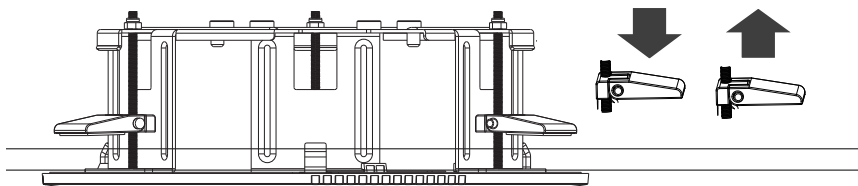
6. Connect cables to the camera.
6-1. Re-install the top cover of the camera.



7. Use a #2 Phillips screwdriver to loosen the clamping plates (see drawing below) and insert the recessed-mount bracket through the hole in the ceiling.



8. Use a #2 Phillips screwdriver to move the clamping plates down so that the ceiling/board is caught between the clamps and the flange on the other side of the ceiling.

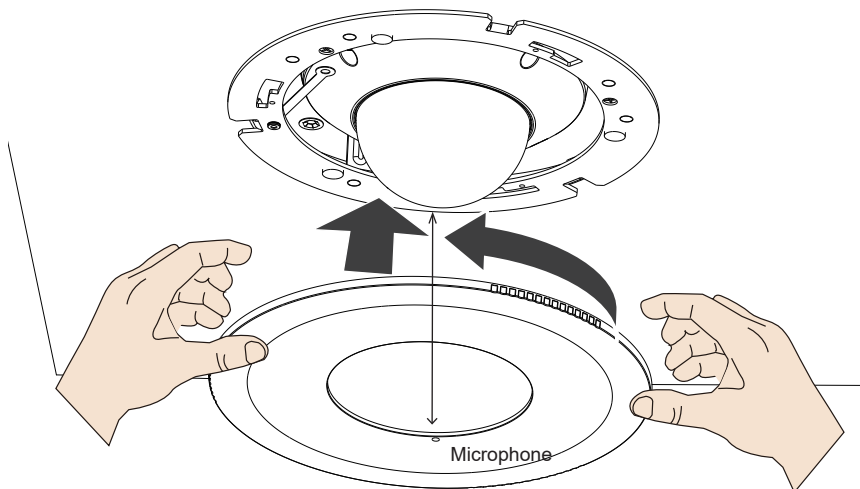


Clockwise



Counter-clockwise

9. Adjust shooting angle and check for a satisfactory image over a web session. When you have a satisfactory live view, secure the dome cover from below by turning it counter-clockwise.



10. You are done with the installation.

