



# AP-GIC-011B-090

1xGE 90W bt PoE Injector • NDAA Compliance



## Technical Specifications

### Ethernet

Gigabit Ethernet 10/100/1000Mbps (Data in)	1
--	---

### Standards

IEEE 802.3 10-BASE-T (Ethernet)	Supported
IEEE 802.3u 100-BASE-TX (Fast Ethernet)	Supported
IEEE 802.3ab 1000-BASE-T (Gigabit Ethernet)	Supported
IEEE 802.3 af/at/bt	Supported

### PoE Function

Number of PoE Port	1
Max. PoE Output Power/Per Port	90W
IEEE PoE Standard	802.3af/at/bt
Over Current Protection	Supported
Circuit Shorting Protection	Supported
Total PoE Power Budget	90W
Power Pin Assignment	3,6 / 4,5 (+), Pin 1,2 / 7,8 (-)
PoE PD Auto Detection	Supported

### General

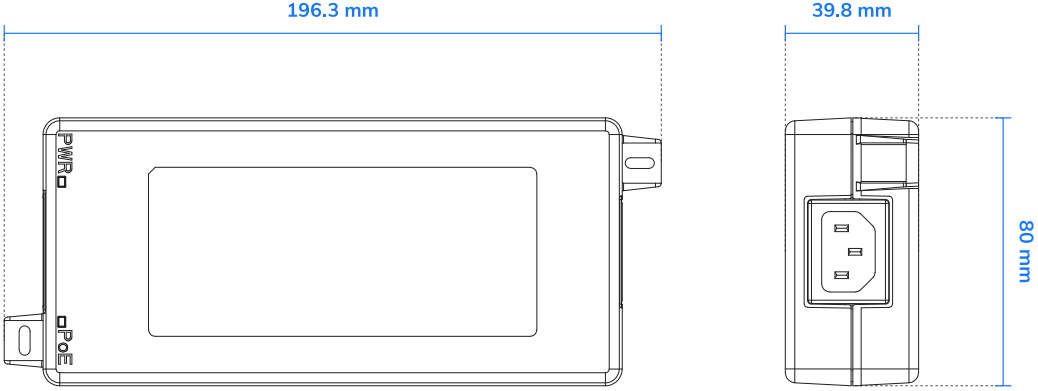
Input Voltage Range	90~264VAC / 50~60Hz
Output Voltage/Current	56VDC/1.61A
Electrostatic Discharge (ESD) Per IEC-61000-4-2	Contact discharge: ±6KV Air discharge: ±8KV
MTBF	200k hours of continuous operation at 25°C
Dimensions	196.3 (L) x 80 (W) x 39.8 (H) mm
Weight	0.45 kg
Operating Temperature	-10°C ~ 40°C (14°F ~ 104°F) @ 90W -10°C ~ 50°C (14°F ~ 122°F) @ 80W
Storage Temperature	-25°C ~ 65°C (-13°F ~ 149°F)
Humidity	Operating: 5~90% Storage: 5~90% (Non-condensing)
Safety Certifications	CE, CB, FCC, VCCI
Warranty	24 Months

### Accessories

Included Accessories	Power cord, QIG
----------------------	-----------------



# Dimensions



# Application

