



Datenblatt - Fiche technique - Data sheet

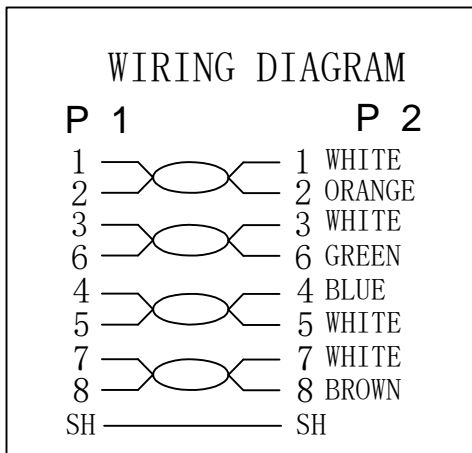
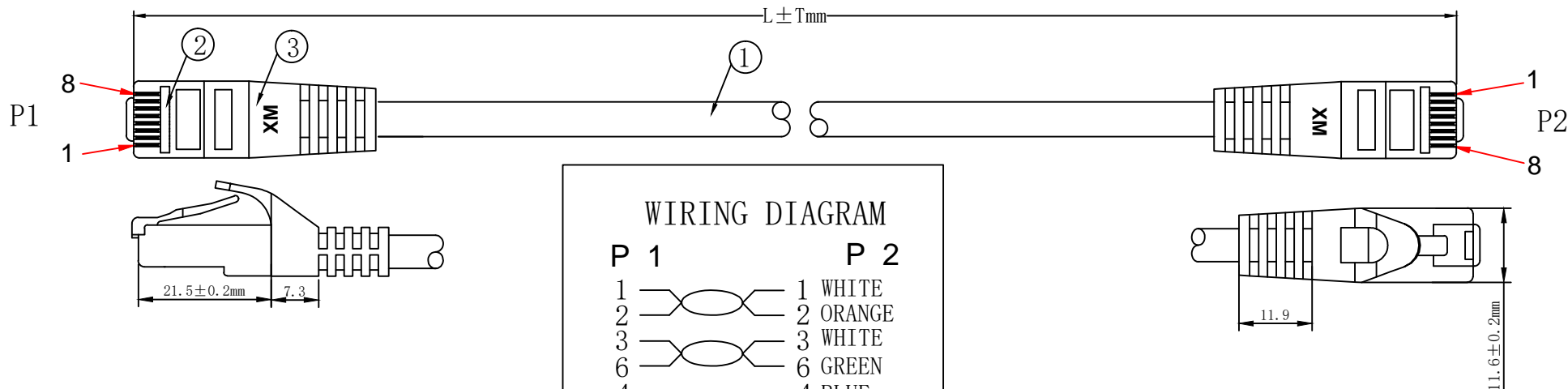
**21.15.2859**



ROLINE Patchkabel Kat.6A S/FTP (PiMF), Comp. Level, LSOH, schwarz, 20 m

Cordon ROLINE S/FTP(PiMF) Cat.6A / 10 Gigabit, LSOH, Component Level,  
noir, 20 m

ROLINE S/FTP Patch Cord Cat.6A, Component Level, LSOH, black, 20.0 m



**1. ELECTRICAL TEST:**

- (1).100% OPEN SHORT & MISS WIRE TEST;
- (2). INSULATION RESISTANCE:DC 250V 20M OHM MIN;
- (3). CONTACTOR RESISTANCE:30 OHM MAX

**2. PRINTING:GHMT® roline CAT.6A S/FTP COMPONENT PATCH CORD LSZH 500MHZ ISO/IEC**

11801 & EN 50173-1 & ANSI/TIA-568-C.2

3.100% Component Patch cord Test PASS

4. Minimum bending radius:60mm

**MATERIAL LIST**

⑥	LABEL	NO DRY GLUE LABEL	1PCS	
⑤	MINI TIE	PE MINI TIE(POSSESS METAL)	2PCS	
④	POLYETHYLENE BAG	POLYETHYLENE BAG	1PCS	
③	OVER MOLD	88A PVC black	2PCS	
②	CONNECTOR	RJ45 8P8C'S SHIELDED PIN GOLD PLATED 3u", SHELL PLATED NICKEL Transparent Blue	2PCS	
①	CABLE	S/FTP CAT.6A 26AWG (BC*1P+AL-FOIL)*4P+BRAID CABLE JACKET LSOH OD=6.2±0.2MM	1PCS	
NO.	PARTS NAME	SPECIFICATION STANDARD	QT' Y	REMARK

COLOUR:black (PANTONE:black 3C)

ITEM NO.	LENGTH (L)	TOLERANCE (T)
21. 15. 2975	300mm	± 10mm
21. 15. 2850	500mm	± 15mm
21. 15. 2851	1000mm	± 30mm
21. 15. 2854	1500mm	± 45mm
21. 15. 2852	2000mm	± 60mm
21. 15. 2853	3000mm	± 90mm
21. 15. 2855	5000mm	± 150mm
21. 15. 2856	7500mm	± 210mm
21. 15. 2857	10000mm	± 300mm
21. 15. 2858	15000mm	± 450mm
21. 15. 2859	20000mm	± 600mm

ITEM NO.	21. 15. 2975	21. 15. 2850	21. 15. 2851	21. 15. 2852	21. 15. 2853
21. 15. 2854	21. 15. 2855	21. 15. 2856	21. 15. 2857	21. 15. 2858	21. 15. 2859
DESC.	ROLINE S/FTP PatchCord CAT. 6A, LSOH, Comp. Level1, black				

BY	CHK	NEW	2016-09-13	A
REVISION RECORD MODIFICATIONS			DATE	REV.

