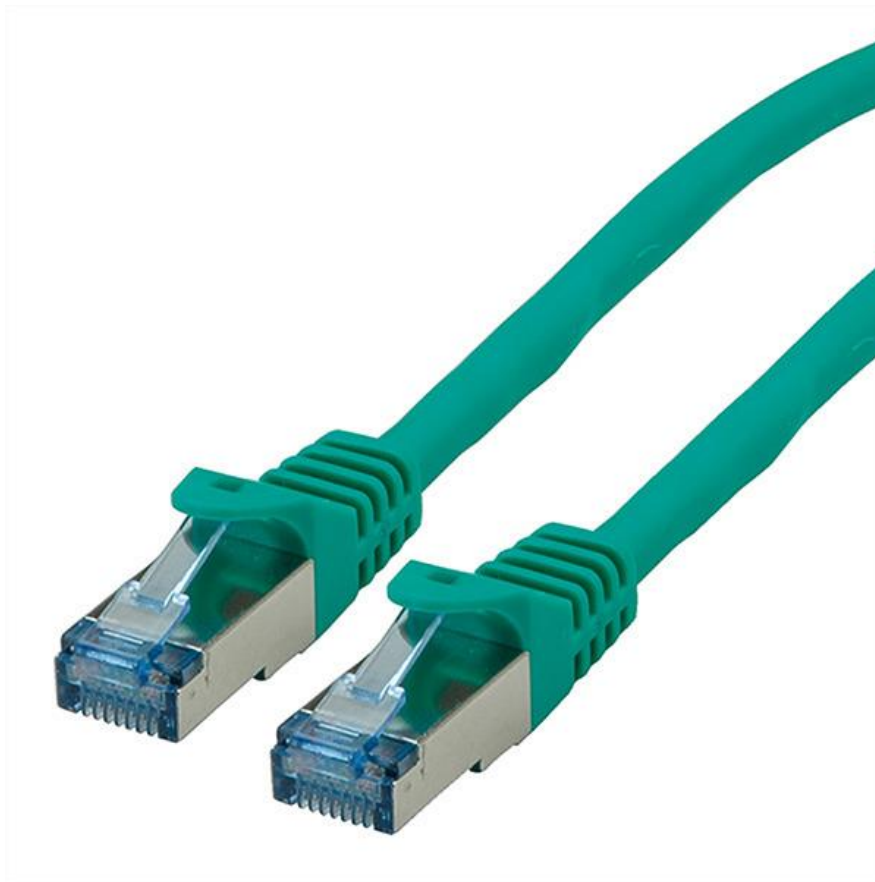




Datenblatt - Fiche technique - Data sheet

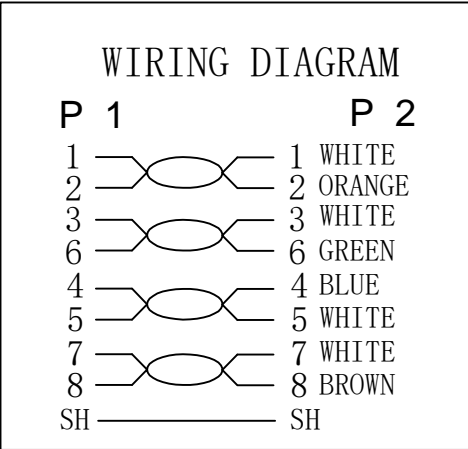
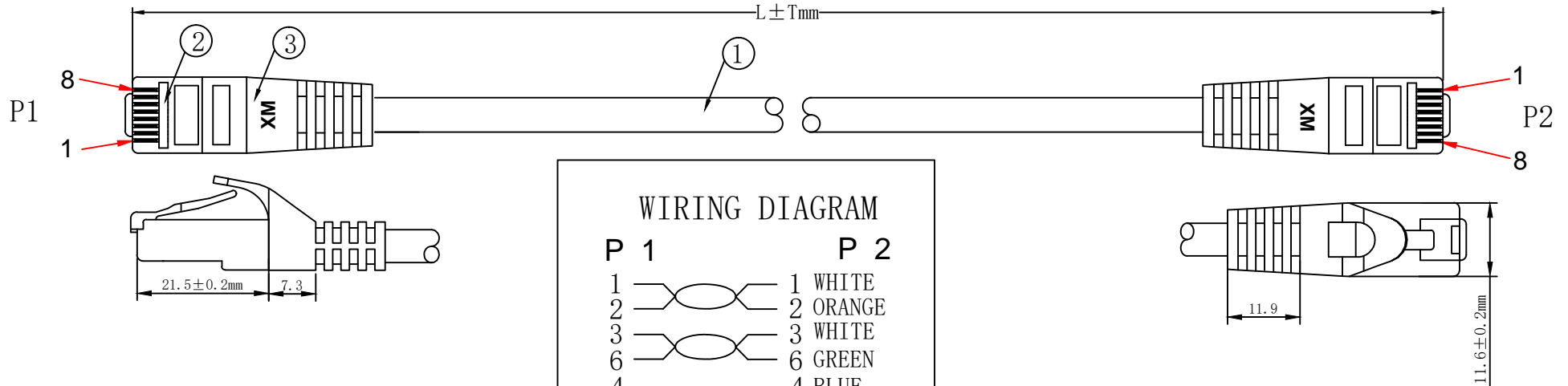
21.15.2832



ROLINE Patchkabel Kat.6A S/FTP (PiMF), Comp. Level, LSOH, grün, 2,0 m

Cordon ROLINE S/FTP(PiMF) Cat.6A / 10 Gigabit, LSOH, Component Level,
vert, 2,0 m

ROLINE S/FTP Patch Cord Cat.6A, Component Level, LSOH, green, 2.0 m



1. ELECTRICAL TEST:

- (1).100% OPEN SHORT & MISS WIRE TEST;
- (2).INSULATION RESISTANCE:DC 250V 20M OHM MIN;
- (3).CONTACTOR RESISTANCE:30 OHM MAX

2.PRINTING:GHMT® roline CAT.6A S/FTP COMPONENT PATCH CORD LSZH 500MHZ ISO/IEC 11801 & EN 50173-1 & ANSI/TIA-568-C.2

3.100% Component Patch cord Test PASS

4.Minimum bending radius:60mm

MATERIAL LIST

⑥	LABEL	NO DRY GLUE LABEL	1PCS	
⑤	MINI TIE	PE MINI TIE(POSSESS METAL)	2PCS	
④	POLYETHYLENE BAG	POLYETHYLENE BAG	1PCS	
③	OVER MOLD	88A PVC Green	2PCS	
②	CONNECTOR	RJ45 8P8C'S SHIELDED PIN GOLD PLATED 3u", SHELL PLATED NICKEL Transparent Blue	2PCS	
①	CABLE	S/FTP CAT.6A 26AWG (BC*1P+AL-FOIL)*4P+BRAID CABLE JACKET LSOH OD=6.2±0.2MM	1PCS	
NO.	PARTS NAME	SPECIFICATION STANDARD	QT' Y	REMARK

COLOUR:Green (PANTONE:3278C)					
ITEM NO.	LENGTH (L)		TOLERANCE (T)		
21. 15. 2973	300mm		± 10mm		
21. 15. 2830	500mm		± 15mm		
21. 15. 2831	1000mm		± 30mm		
21. 15. 2834	1500mm		± 45mm		
21. 15. 2832	2000mm		± 60mm		
21. 15. 2833	3000mm		± 90mm		
21. 15. 2835	5000mm		± 150mm		
21. 15. 2836	7500mm		± 210mm		
21. 15. 2837	10000mm		± 300mm		
21. 15. 2838	15000mm		± 450mm		
21. 15. 2839	20000mm		± 600mm		
ITEM NO.	21. 15. 2973	21. 15. 2830	21. 15. 2831	21. 15. 2832	21. 15. 2833
21. 15. 2834	21. 15. 2835	21. 15. 2836	21. 15. 2837	21. 15. 2838	21. 15. 2839
DESC.	ROLINE S/FTP PatchCord CAT. 6A, LSOH, Comp. Level1, Green				

SECOMP

BY	CHK	NEW	2016-09-13	A
		REVISION RECORD MODIFICATIONS	DATE	REV.