

LCD wall bracket installation instructions

VESA:75X75&100X100mm

For the weight of the largest : 8 KGS

As shown:

Instrument at the wall by drilling four holes, the distance between the hole as shown below.

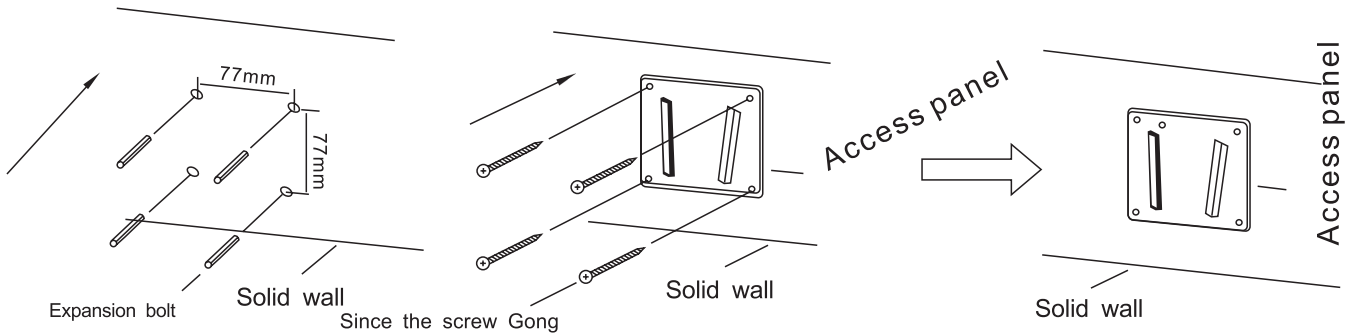
Pang up four bolts into the drilled hole in the best four.

Lodged stent medium Access Qiang board downward, so that access panel on the wall, of the four-hole and four hole alignment.

Installed four self-Gone screwed screws fitted well in the four bolts.

Note:

Installation must be at a solid wall or the interface on the strength equivalent to or display the stentor drop out from the wall in accordance with the distance requirements otherwise it is impossible to carry out the installation of the back wall hole depth must be consistent with the length of bolt up pang consistent pang up screws must be screwed up bolt in pang.



As shown:

Four M4 screws through the panel displays the four-hole bracket screwed display back into the four mounting holes.

Note:

Please note that display both positive and negative direction.

Rotary screw mounting hole depth of holes.

Screw screwed depth should be consistent with the depth of mounting holes in line.

