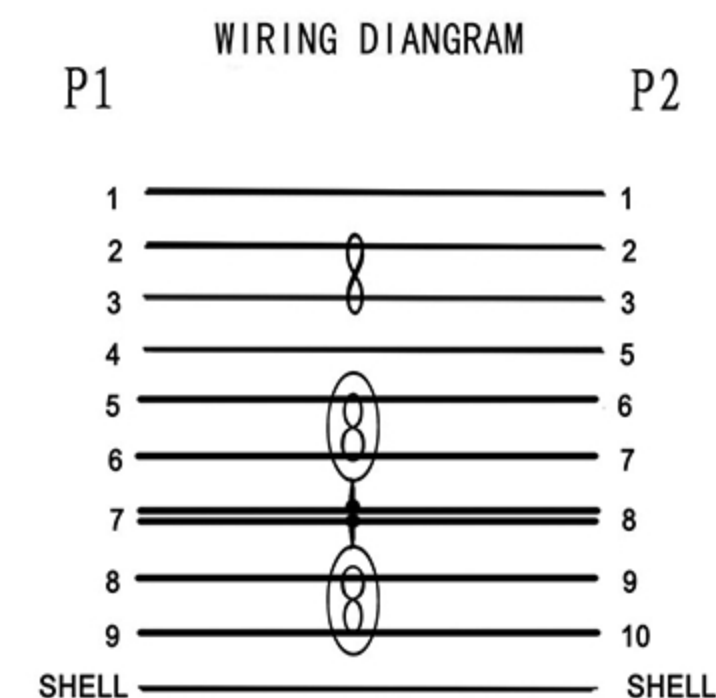
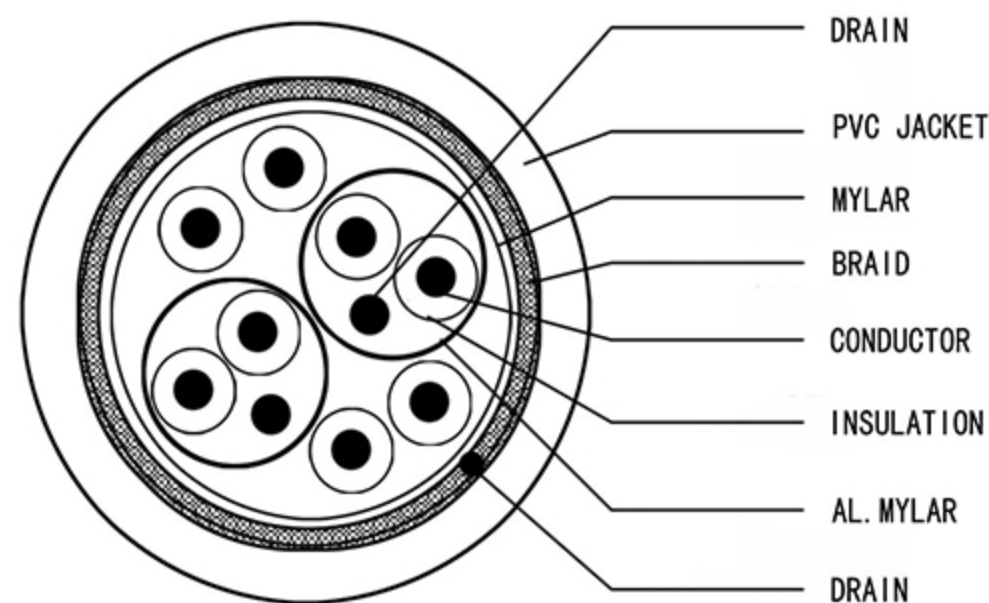


SPECIFICATION : [(#28BCx1P) + (#28BC+FAM)] x2 + #24TCx2C + #28TC*1P + AL + #28BC, +ADB (AL/MG BRAID)

ITEM	SPECIFICATION		
CONDUCTOR	AWG	28AWG	24AWG+28WG
	MATERIAL	TC	TC
	COND. SIZE	7/0.12TC±0.01mm	(7/0.19TC±0.01mm)*2 + (7/0.12TC±0.01mm)*2
INSULATION	MIN. AVG. THICK	0.2mm	0.10mm
	MATERIAL	FM-PE+SKIN	PE
	OD	0.87mm±0.05mm	(0.95mm±0.05mm) + (0.69mm±0.05mm)
	NO.	1P*2C	1P+2C
TWISTED PAIR	AWG	28AWG	
	MATERIAL	TC	
	COND. SIZE	(7/0.12TC±0.01mm)*2 + (7/0.10TC±0.01mm)*1	
SPREAD AL. FOIL	SIZE	8mm	
	COVERAGE	125%	
MYLAR	SIZE	16mm	
	COVERAGE	125%	
DRAIN	MATERIAL	BC	
	SIZE	7/0.16BC±0.01mm	
BRAID	MATERIAL	AL-MG ALLOY	
	SIZE	8*16/0.12±0.01mm	
	COVERAGE	85%	
JACKET	MATERIAL	WHITE PVC	
	COLOUR	WHITE	
	O.D	5.2mm±0.2mm	



SECOMP

VALUE USB3.0 Cable, A-MicroB, M/M

CHECKED: Zhang Guo Yu

APPROVED: Liu Wen Jun

DRAWING: Zhuang Qing Yan

CUSTOMER:

DESIGN: Liu Ting Feng

DATE: 2016.7.15

MODEL NO. : 11.99.8876 (0.15M)

11.99.8873 (0.8M)

11.99.8875 (2M)

11.99.8877 (3M)