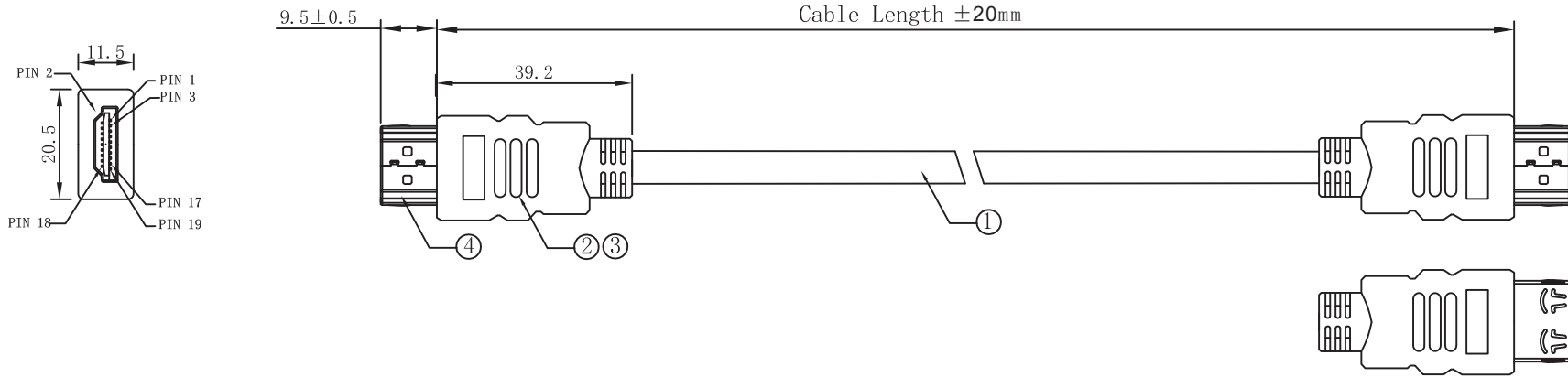
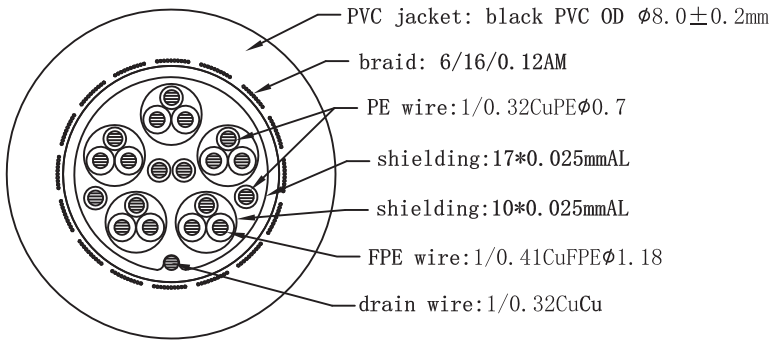


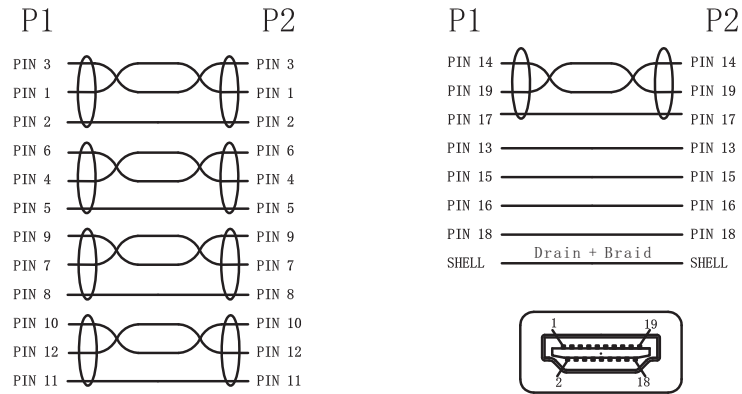
REV.	DESCRIPTION	DATE
A		2018-09-26
B		



Cable Specifications:



Pin Assignment



- test standard:
- 100% pass open circuit, short circuit, dislocation test.
  - On-resistance:  $3\Omega$  Max
  - Insulation resistance:  $5\text{M}\Omega$  Min/DC300V/10ms
  - 100% pass 4k60hz TV test

PART NO.	CABLE LENGTH
11.99.5696	10M $\pm 20\text{mm}$

BOM LIST

NO.	SPECIFICATIONS
1	HDMI2.0V26-28AWG OD:8.0 (1/0.41Cu*1P+1/0.32Cu)*5+1/0.32Cu*4C+D1/0.32Cu+96AM
2	PVC Jacket:45P PVC ,Color:Black
3	Inner Molding:tin
4	HDMI 19 Pin nickel plated connector lock connector

ITEM NUMBER	DRAWER			Ming
TITLE	VALUE HDMI Ultra HD Cable w/Ethernet , M/M, Resistant plug , black			CHECKED
MATERIAL	SCALE	APPROVED		
REV.	A	UNIT	INCH	
DRAWING NO:				