



Datenblatt - Fiche technique - Data sheet

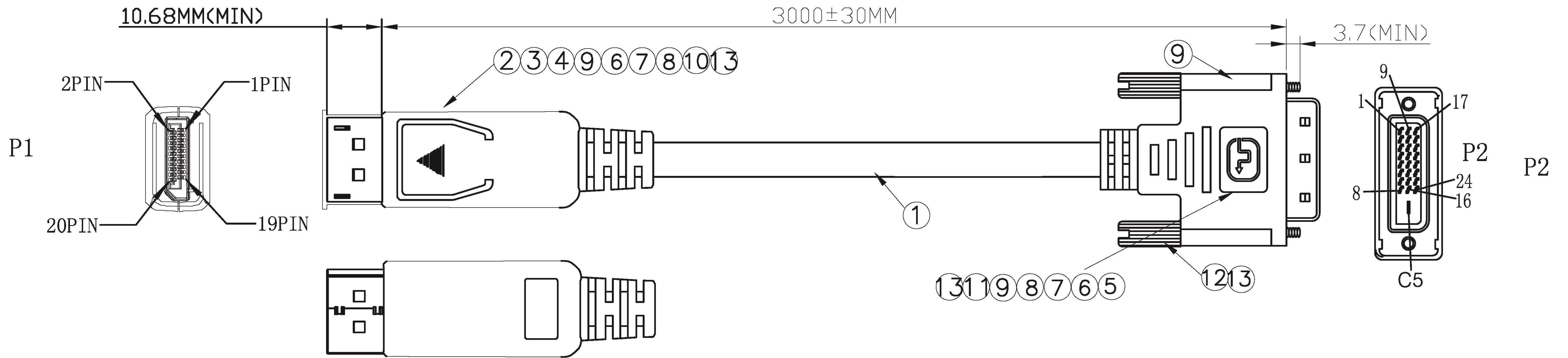
11.99.5616



VALUE DisplayPort Kabel DP ST – DVI (24+1) ST, LSOH, 3,0m

VALUE Câble DisplayPort DP M – DVI(24+1) M, LSOH, 3,0m

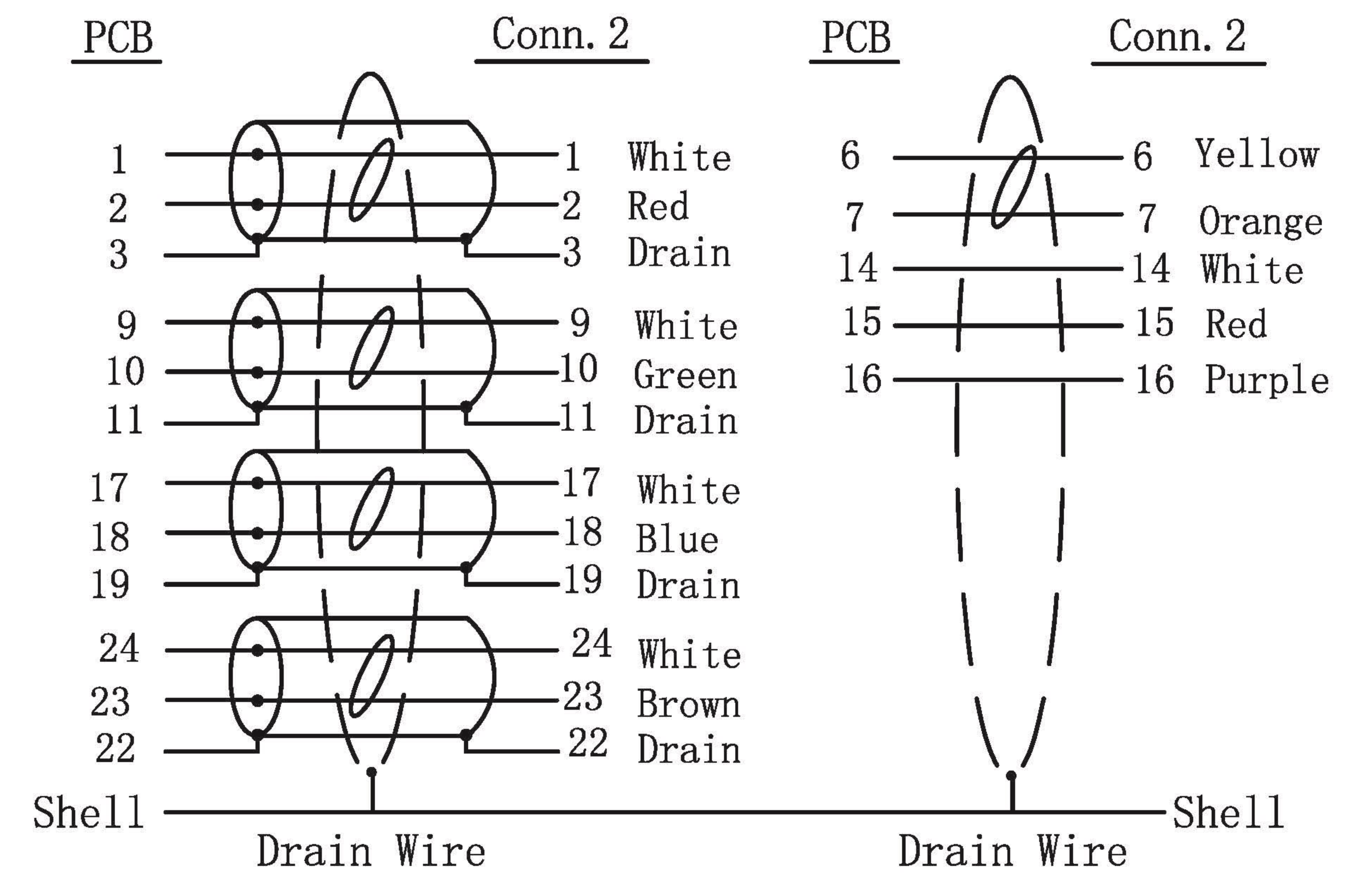
VALUE DisplayPort Cable, DP-DVI (24+1), LSOH, M/M, 3 m



ELECTRICAL TEST:

1.100% Real machine test

Pin Assignment



13	30P black PVC	AR	g
12	#4-40UNC 2.8*58.25MM Nickel Plated	2	pcs
11	DVI M Transparent PVC Dust Cover	1	pcs
10	Display Port M Transparent PVC Dust Cover	1	pcs
9	Black Heat Shrink Tube: ϕ 2.0*8MM	0.04	m
8	Black Heat Shrink Tube: ϕ 1.5*16mm	0.016	m
7	Black Heat Shrink Tube: ϕ 1.0*7mm	0.035	m
6	45P black w/LOSH	AR	g
5	DVI(24+1)M Welding line iron shell nickel plating black rubber core	1	pcs
4	Display Port M Nickel Plated Back Shell	1	pcs
3	Display Port M Nickel Plated Front Shell	1	pcs
2	DisplayPort Port M PIN Gold Plated With PCB	1	pcs
1	UL20276 (30AWG*1PR+EAM)*4+30AWG*1PR+30AWG*3C+AEB(16*7/0.12)AL OD 5.5MM BLACK w/LOSH	3.0	m
NO	DESCRIPTION	Q'TY	UNIT

TOLERANCE	INCHES		M/M	
	.X	.XX	.015	.10
	.XXX		.005	.05

VALUE DisplayPort Cable, DP-DVI, M/M, 3m, LSOH

DRAWN BY	Item No.	11.99.5616	
CHECK BY	SCALE	NONE	DRAWING NO.:
APPD BY	UNIT	MM	
	DATE	15.07.17	REV. A01
			1/1