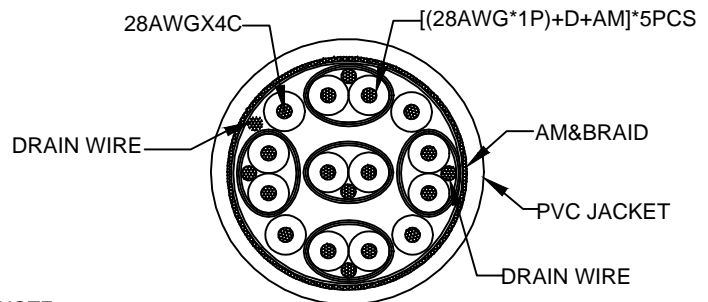
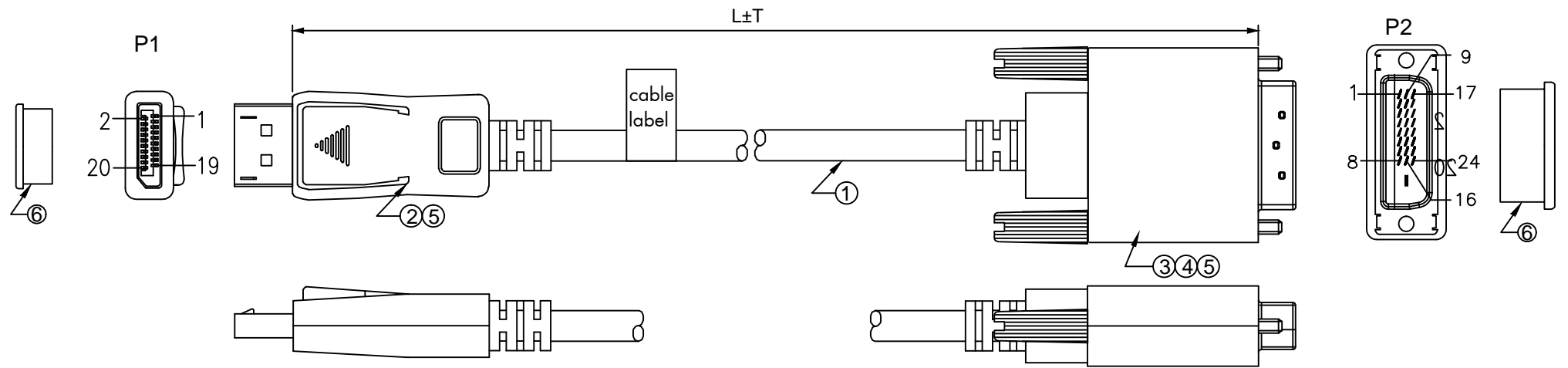


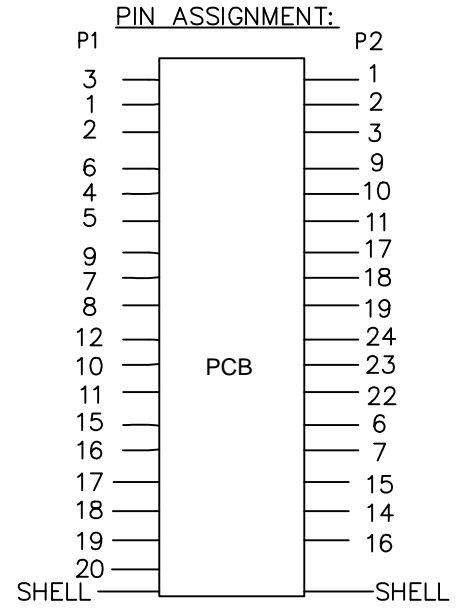
CONFIGURATION DETAILS OF
UNDIMENSIONED FEATURES
MAY VARY

REVISIONS			
REV	DESCRIPTION	DATE	APPROVED
A		2022/03/10	



NOTE:
 1. Electronic test
 1.1 Open/short 100% test
 1.2 Insulation resistance: 10MΩ Min
 1.3 Conductor resistance: 3Ω Max
 1.4 Hipot: DC 200V/0.01S
 2. Tested by PC: 1920*1080@60HZ
 3. Printing: High Speed Cable 20276 80 C 30V VW-1
 4. Bending radius: 8*cable diameter(56mm)
 with ROHS and REACH compliant

ITEM NO.	Ver.	LENGTH
11.99.5613	F	1000±20
11.99.5619	F	1500±20
11.99.5610	F	2000±20
11.99.5611	F	3000±30
11.99.5612	F	5000±50



NO.	PART NAME	DESCRIPTION	QUANTITY	REMARKS
⑥	DUST COVER	TRANSPARENT PE(DP/DVI)	2	
⑤	OUTER MOLD	ABS ,black	2	
④	SCREW	#4-40 UNC, HOOD MOLDED: BLACK PVC	2	
③	DVI 24+1 MALE	DVI 24+1 MALE, WITH IC (LT8611SXA), GOLD PLATED PIN, NICKEL PLATED SHELL	1	
②	DP MALE	DP20PIN MALE, WITH LOCK, GOLD PLATED PIN, NICKEL PLATED SHELL	1	
①	CABLE	(1/28AWG BC*1P+E+AM)*5+1/28AWG BC*4+AM +E+Braid Al-mg, Jacket: PVC /black , OD7.0±0.2mm	1	

NAME	VALUE DisplayPort Cable, DP-DVI, M/M, black		
Item no.	See the chart		
	MAPE	TOLERANCE	
		X. ±1.00	X.X ±0.50
DRAW BY	SCALE	MM	
	PAGE	1/1	

