



Datenblatt - Fiche technique - Data sheet

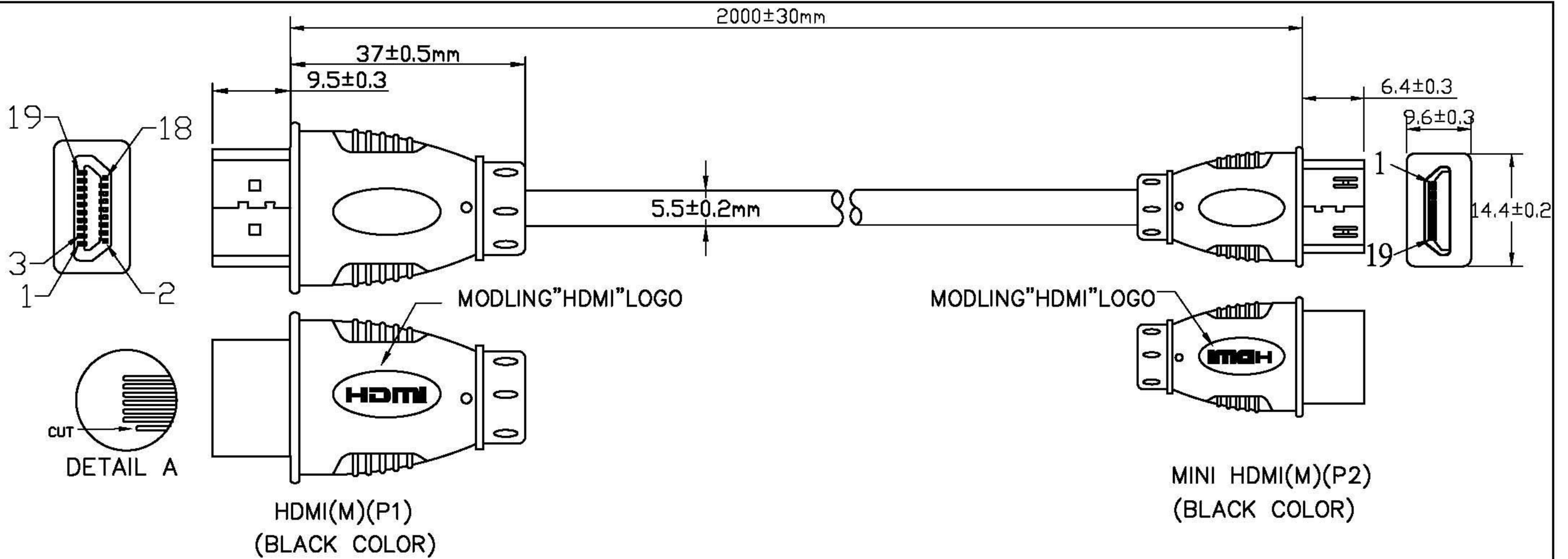
11.99.5580



VALUE HDMI High Speed Kabel mit Ethernet, HDMI ST - Mini HDMI ST, 2,0m

VALUE Câble HDMI High Speed avec Ethernet, HDMI M - Mini HDMI M, 2,0m

VALUE HDMI High Speed Cable + Ethernet, A - C, M/M, 2 m

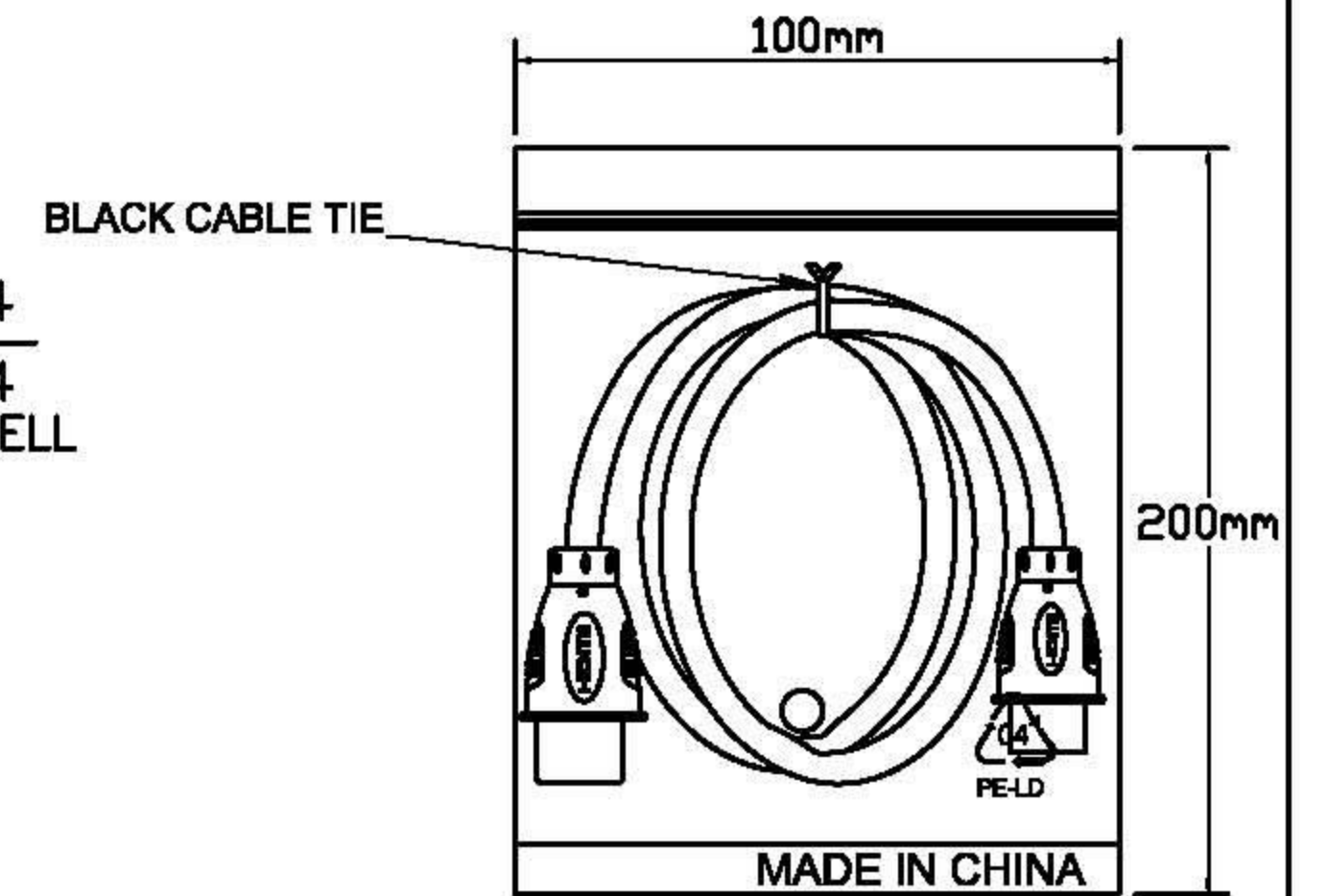


NOTE:

1. CABLE: 32AWG,UL20276,AL+B-FOIL,[(#32*1P+D+FAM)*5PCS+#32*4C]+AM+B, BLACK COLOR,OD=5.5mm,PVC JACKET
2. LENGTH: 2M.
3. CONNECTORS: HDMI19P(M)*1,MINI HDMI19P*1(BLACK INSULATOR)(SHELL NICKEL).
4. MOLD: MOLDING TYPE.
5. CONTACTS:

P1	1	3	2	4	6	5	7	9	8	10	12	11	14	19	17	13	15	16	18	64
P2	2 3 PAIR		1 G	5 6 PAIR		4 G	8 9 PAIR		7 G	11 12 PAIR		10 G	17 19 PAIR		13 G	14 15 16 18 32AWG*4C				64 SHELL

6. OPEN/SHORT TEST: 100% TEST.
 - A. 100% OPEN, SHORT & INTERMITTANCE TEST.
 - B. CONDUCTOR RESISTANCE: 3ohms MAX:
 - C. INSULATION RESISTANCE: 2M Min/300V DC, 10ms:
 - D. WITHSTANDING VOLTAGE: 2mA Max/300V AC, 1 SEC.
 - E. THE DIMENSIONS MARKED "▽" SHALL BE CHECKED.
7. ALL MUST BE MEET ON ROHS COMPLIANT.



Title:	VALUE HDMI High Speed Cable w.Eth, A M-C M	ITEM NO.	11.99.5580	NO	B	Rotronic Co.,Ltd.	SCALE	
REVISION	DATE	DISCRIPTION	DRAWN BY				UNIT(mm)	
REV.A/0	2011.08.31		DESIGNED BY				DRAWING NO.	
			APPROVAL BY					