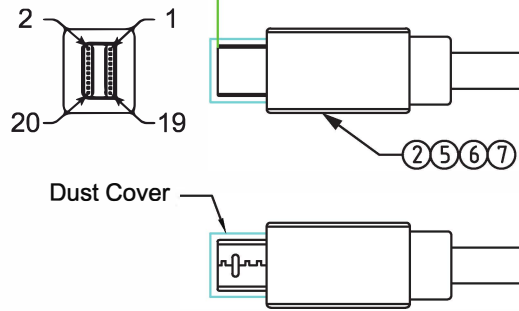
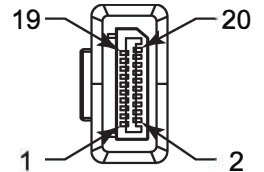


P1  
Mini DP Male

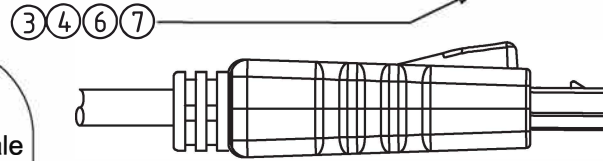


L±30

P2  
DP Male



41.5±0.3

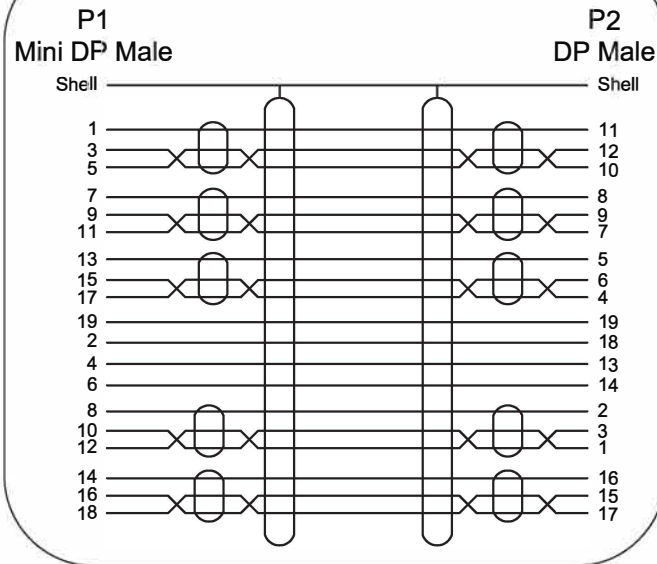


Dust Cover



21.0±0.3

Pin Assignment



Specification :

- 1 Cable UL20276, (32AWG\*1P+D+AL/MY)\*5C+32AWG\*4C+AL+D +B, Jacket: PVC, Color: BLACK, OD: 6.0mm
- 2 Conn. Mini DP Male, Insulator: White, Shell: Gold Plated
- 3 Conn. DP Male, Insulator: Black, Shell: Gold Plated
- 4 Hood For DP CONNECTOR, ABS, Color: Black
- 5 Hood For Mini DP Male, PVC Mold, Color: Black
- 6 Inner Molding PE
- 7 Outer Molding PVC: 45P, Color: Black

Note: (Mini DP to DP Real Machine Detection)

1. Source Resolution UXGA:  
3840 \* 2160P Refresh Rate: 60Hz
2. Video No Jitter, Smearing, Ghosting, Lack of Color and Other Display Abnormalities

| Part No.   | Length  | Resistance |
|------------|---------|------------|
| 11.04.5814 | 1000 mm | 2ohm       |
| 11.04.5815 | 2000 mm | 2ohm       |

| Rev. | Date | Contents of Change | Designer | Tol±    |     |     |     |     |     |     |     | Approve | Check | Draw  | Design | Product Name | Mini DP to DP Cable, Black        |  |
|------|------|--------------------|----------|---------|-----|-----|-----|-----|-----|-----|-----|---------|-------|-------|--------|--------------|-----------------------------------|--|
|      |      |                    |          | Range   | Pla | Met | Ins | Por | Cab | Pac | Gas | Dis     | Allen | Allen | Kuan   | Product Name | Drawing Date                      |  |
| ①    |      |                    |          | 0~6     | 0.1 | 0.1 | 0.1 | 0.2 | 0.5 | 1   | 0.5 | 0.2     |       |       |        | 2017-11-20   | Product No. 11.04.5814/11.04.5815 |  |
| ②    |      |                    |          | 6~30    | 0.1 | 0.1 | .15 | .25 | 1   | 1   | 0.5 | .25     |       |       |        |              |                                   |  |
| ③    |      |                    |          | 30~80   | 0.1 | .15 | 0.2 | 0.3 | 2   | 1.5 | 1   | 0.3     |       |       |        |              |                                   |  |
| ④    |      |                    |          | 80~180  | .15 | .15 | .25 | 0.3 | 2   | 2   | 1   | .45     |       |       |        |              |                                   |  |
| ⑤    |      |                    |          | 180~315 | .15 | 0.2 | 0.3 | 0.4 | 2.5 | 2   | 1   | 0.6     |       |       |        |              |                                   |  |
|      |      |                    |          | 315~800 | 0.2 | 0.3 | 0.4 | 0.5 | 3   | 3   | 2   | 1.1     | Scale | 1:1   | Unit   | mm           |                                   |  |
| 1    | 2    | 3                  | 4        | 5       | 6   | 7   | 8   |     |     |     |     |         |       |       |        |              |                                   |  |

