

Conn.1 HDMI A Type Male Molding

Conn.2 HDMI A Type Male Molding

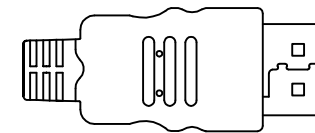
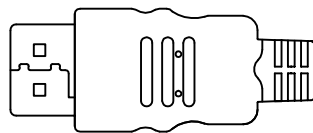


Table:

P/N	Length	Resistance
11.04.5548B	15000±100mm	2 ohm

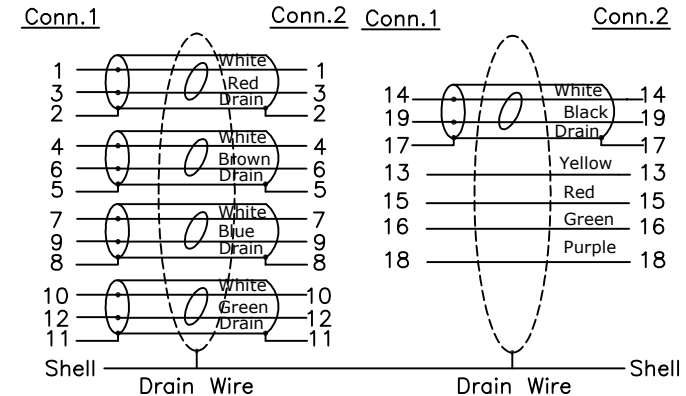
Electrical Test:

- 100%Test(Open, short ,miss wire)
- Contact Resistance: 2 ohm max.
- Insulation Resistance: 5M ohm min.
- Hi-pot:300V DC/10ms

Description :

- Cable : Hight Speed HDMI Cable with Ethernet  
UL20276 [26AWG(7/0.16TC)\*1PR+AL+D+Mylar]\*5C+26AWG(7/0.16TC)\*4C+AL/MY+Braid ,  
OD=8.3mm , Jacket Color: Black
- HDMI A Type Male , Shell Nickel Plated , Insulation: Black
- Inside Molding : PE
- Outside Molding : 45P PVC , PMS: Black

Pin Assignment



REV.	DATE	CONTENTS OF CHANGE	DESIGNER	TOL ±								APPROVAL	CHECK	DRAWING	DESIGN	DRAWING NAME	ROLINE HDMI1.4 Cable w/ Ethernet M-M			
				RANGE	Pla	Met	Ins	Por	V Cab	Pac	Gas						DIS	DATE	PART NO.	11.04.5548B
①				0~6	0.1	0.1	0.1	0.2	0.5	1	0.5	0.2	PHLP	PHLP	TREE	2016-05-6				
②				6~30	0.1	0.1	.15	.25	1	1	0.5	.25								
③				30~80	0.1	.15	0.2	0.3	2	1.5	1	0.3								
④				80~180	.15	.15	.25	0.3	2	2	1	.45								
⑤				180~315	.15	0.2	0.3	0.4	2.5	2	1	0.6								
				315~800	0.2	0.3	0.4	0.5	3	3	2	1.1								



SCALE 1:1 UNIT MM