

Conn.1 HDMI A Type Male Molding

Conn.2 HDMI A Type Male Molding

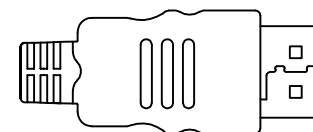


Table:

P/N	Length	Resistance
11.04.5544A	7500 ± 60 mm	2 ohm
11.04.5547B	10000 ± 80 mm	2 ohm

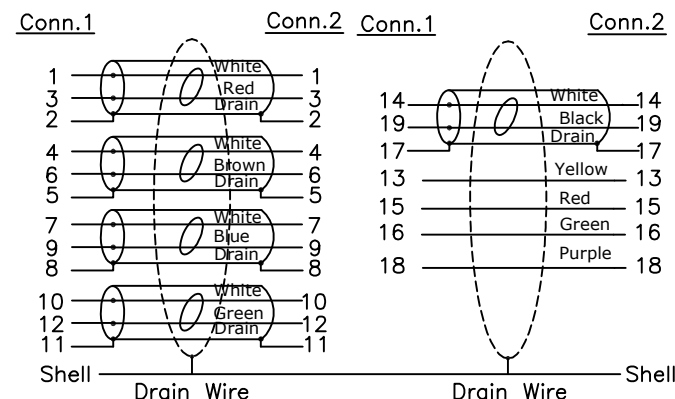
Electrical Test:

1. 100%Test(Open, short ,miss wire)
2. Contact Resistance: 2 ohm max.
3. Insulation Resistance: 5M ohm min.
4. Hi-pot:300V DC/10ms

Description :

1. Cable : Hight Speed HDMI Cable with Ethernet
UL20276 [28AWG(7/0.127TC)*1PR+AL+D+Mylar]*5C+28AWG(7/0.127TC)*4C+AL/MY+Braid ,
OD=7.3mm , Jacket Color: Black
2. HDMI A Type Male , Shell Nickel Plated , Insulation: Black
3. Inside Molding : PE
4. Outside Molding : 45P PVC , PMS: Black

Pin Assignment



REV.	DATE	CONTENTS OF CHANGE	DESIGNER	TOL ±								APPROVAL	CHECK	DRAWING	DESIGN	DRAWING NAME	ROLINE HDMI1.4 Cable w/ Ethernet M-M		
				RANGE	Pla	Met	Ins	Par	V	Cab	Pac						Gas	DIS	DATE
△				0~6	0.1	0.1	0.1	0.2	0.5	1	0.5	0.2	PHLP	PHLP	TREE	2016-05-6	PART NO.	11.04.5544A / 47B	ROO
△				6~30	0.1	0.1	.15	.25	1	1	0.5	.25							
△				30~80	0.1	.15	0.2	0.3	2	1.5	1	0.3							
△				80~180	.15	.15	.25	0.3	2	2	1	.45							
△				180~315	.15	0.2	0.3	0.4	2.5	2	1	0.6							
△				315~800	0.2	0.3	0.4	0.5	3	3	2	1.1	SCALE	1:1	UNIT	MM			