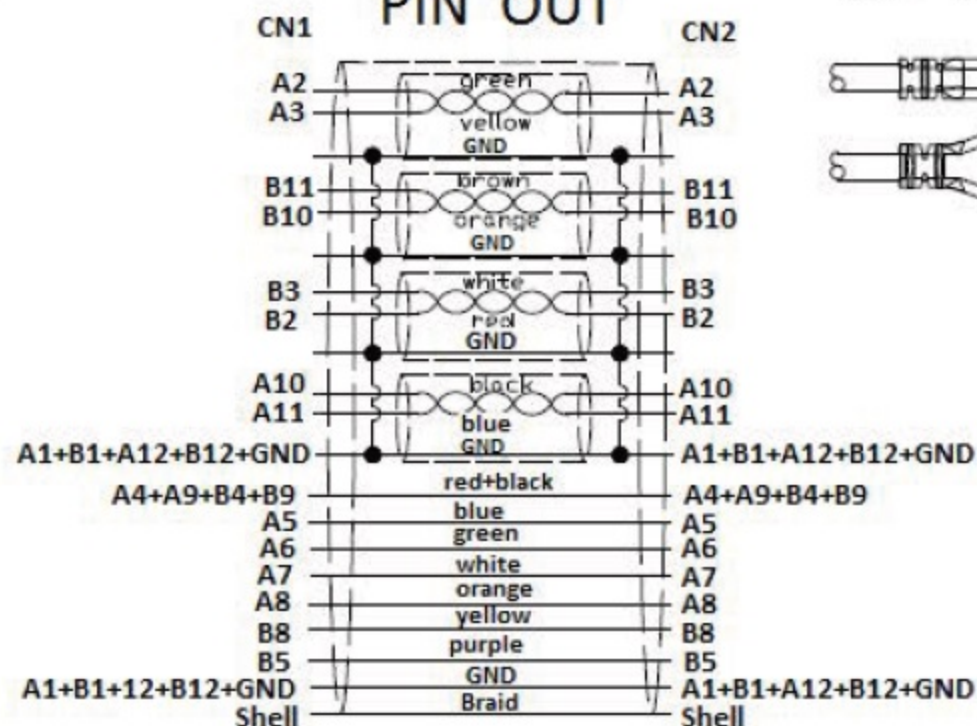


NOTE:

1. 100% open, short, & miss wire test
2. Without Emark, 20V 5A, Max. 10Gbps
3. Printing: E301195 兎 AWM STYLE 2725
80°C 30V VW-1 SUPER HIGH SPEED USB
Revision 3.1 PAK HENG

PIN OUT



MATERIAL LIST:

NO.	PARTS NAME	SPECIFICATION STANDARD	QT' Y	REMARK
⑤	OUTER MOLD	PVC color black	2	
④	INNER MOLD	LD-PE	2	
③	USB C CN 2	USB C/F Solder Type, black PBT insulation gold plated pin, nickel plated shell	1	
②	USB C CN 1	USB C/M Solder Type, black PBT insulation gold plated pin, nickel plated shell	1	
①	CABLE	USB 3.1 CABLE 32AWG TC*1P+D+AL+MY*4C+26AWG TC*2C +32AWG TC*1P+32AWG TC*4C+F+AB, PVC balck, OD:4.8±0.2mm	1	

NO.	PARTS NAME	SPECIFICATION STANDARD	QT' Y	REMARK
		NEW	2017. 06. 08	A
BY	CHK	REVISION RECORD MODIFICATIONS	DATE	REV.

Item no.	11.02.9015
ROLINE USB 3.1 Type C Cable, C-C, M/F, black, 0.20m	

SECOMP