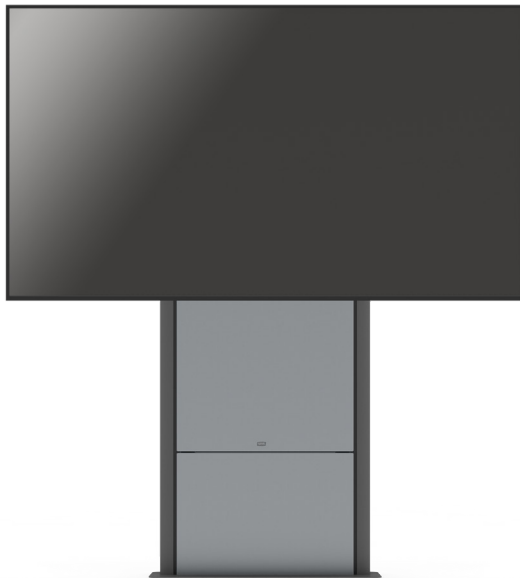


SMS PRESENCE WALL/FLOOR



Smooth and smart – takes the weight off your shoulders

Do you need to mount a large, heavy display or a touch display on a regular wall? With a quick, easy and stylish installation too? The SMS Presence Wall/Floor makes it all possible, the perfect support in the conference room.

SMS Presence Wall/Floor combines our unique Presence solution which completely hides cables and peripherals inside the body of the stand, with a smart design that shifts the weight to the floor. This ensures that the stand itself uses very little floor space and you can mount very heavy displays on a regular wall.

The display can be locked with a padlock or the accompanying locking pin, giving increased protection from theft and personal safety.

The design of the Presence series is, furthermore, protected.

▲ QUESTIONS AND ANSWERS:

How do I get access to the cables and equipment inside the stand?

– Removable magnetic covers on the front of the product make it easy to gain access to cables and other media equipment.

Is my camera equipment compatible with the product?

– Yes, the SMS Presence Wall/Floor can be used with any camera. A camera shelf is sold as an accessory and can be mounted above or below the display.

▲ GENERAL INFO



Finish: Aluminium/Antracite Grey

Maximum display weight: 150 kg

Horizontal VESA: 200 – 800 mm

Vertical VESA: 100 – 400 mm,

Security: The display can be locked with a locking screw (included) or padlock (not included) to increase personal safety and security from theft.

Recommended display size: from appr. 46" and up

Dedicated area for cables and peripherals inside stand: 550 (W) x 380 (H) x 132 mm (D)

Warranty: 5 years.

▲ ABOUT THE PRODUCT

- Perfect for large and heavy displays, or touch displays.
- Quick and easy installation thanks to accurate pre-assembly.
- Stylish look of the installation, all cables and peripherals hidden inside.
- Protected design.

▲ SIMPLE ORDERING

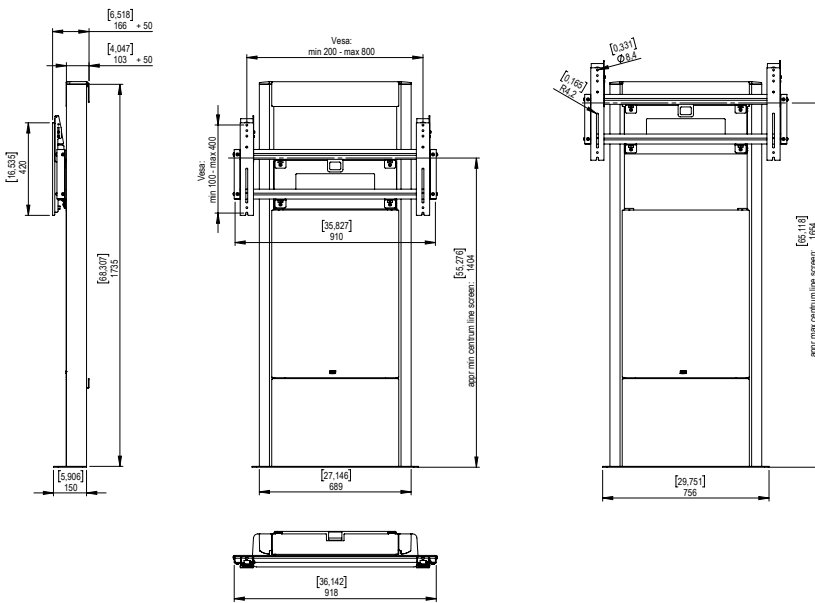
ARTICLE NO.:

- C591U003-2A0 SMS PRESENCE WALL/FLOOR

▲ TECHNICAL DRAWING (MM/INCH)

C591U003-2A0

SMS PRESENCE WALL/FLOOR



▲ ACCESSORIES

- PR100001 SMS PRESENCE CAMERA SHELF
- C5-21U004-2-A SMS PRESENCE W/F TOWER BOX

For a complete list of accessories, see www.smartmediasolutions.se

▲ USING LITTLE FLOOR SPACE

