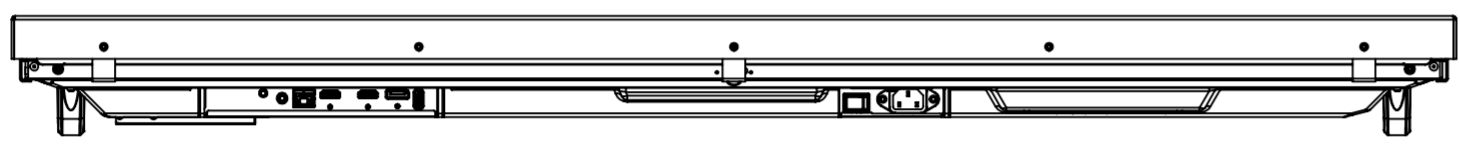
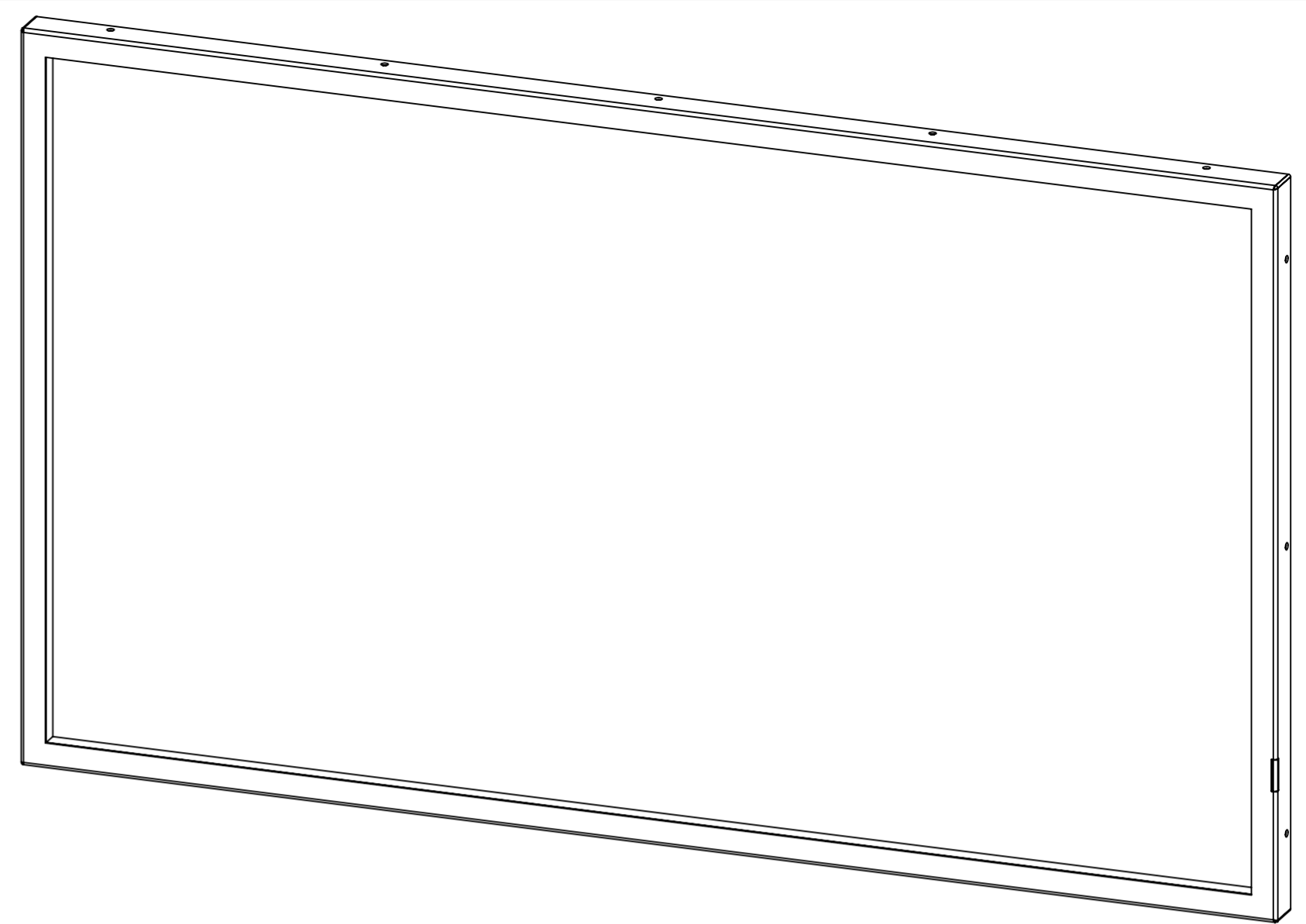


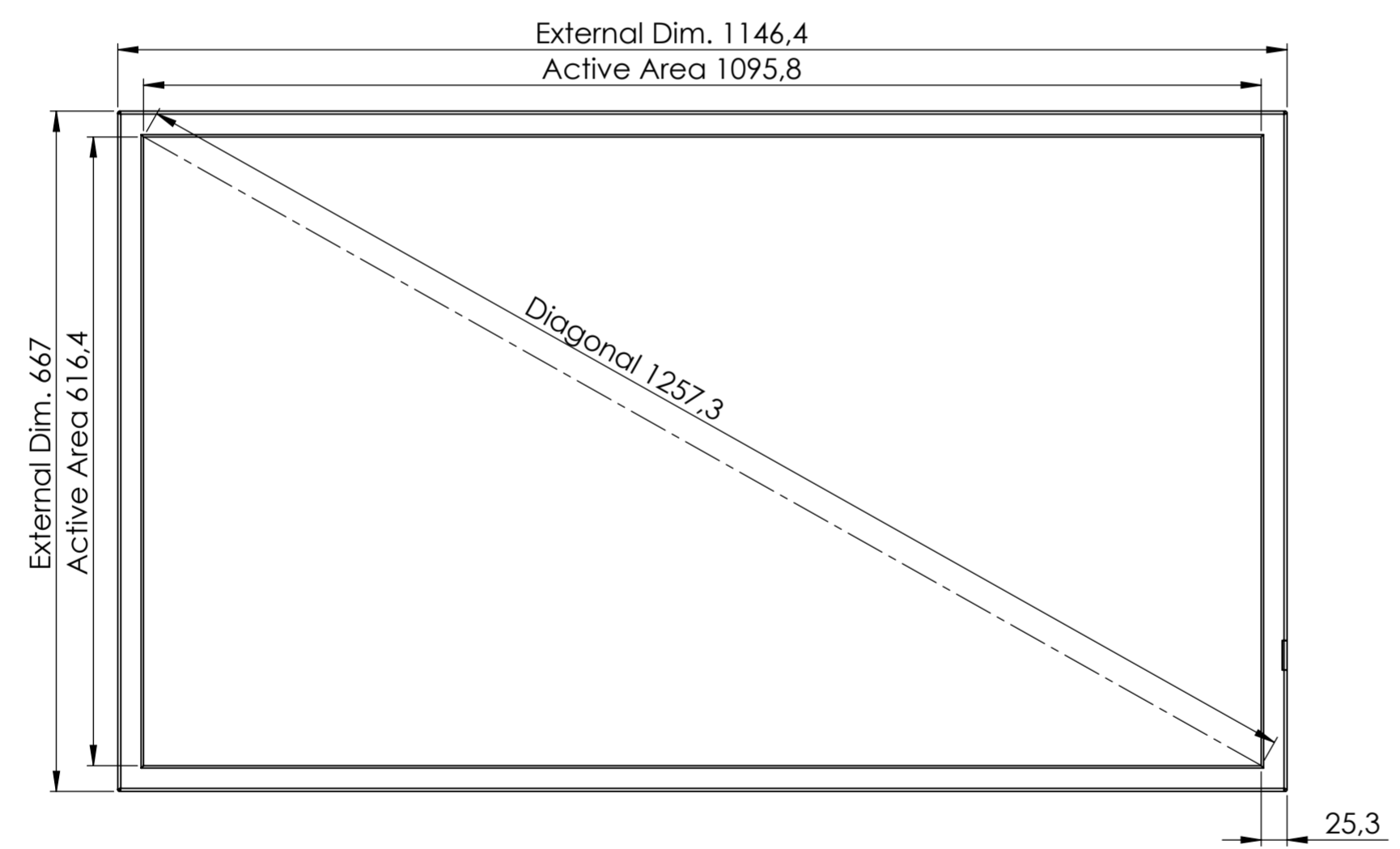
12 11 10 9 8 7 6 5 4 3 2 1

H  
G  
F  
E  
D  
C  
B  
A

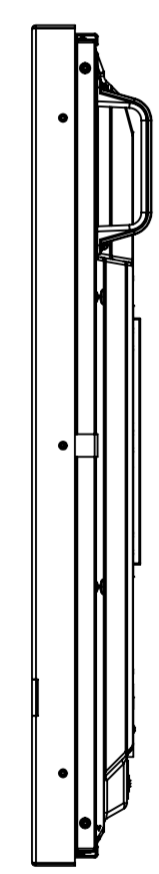
H  
G  
F  
E  
D  
C  
B  
A



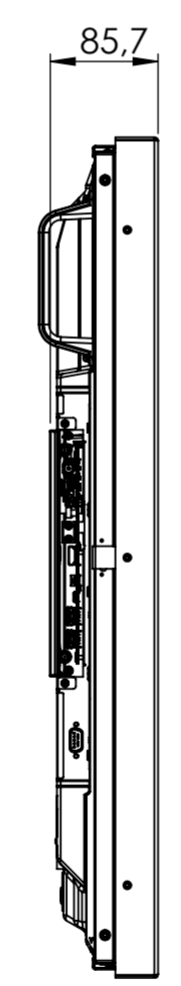
Bottom View



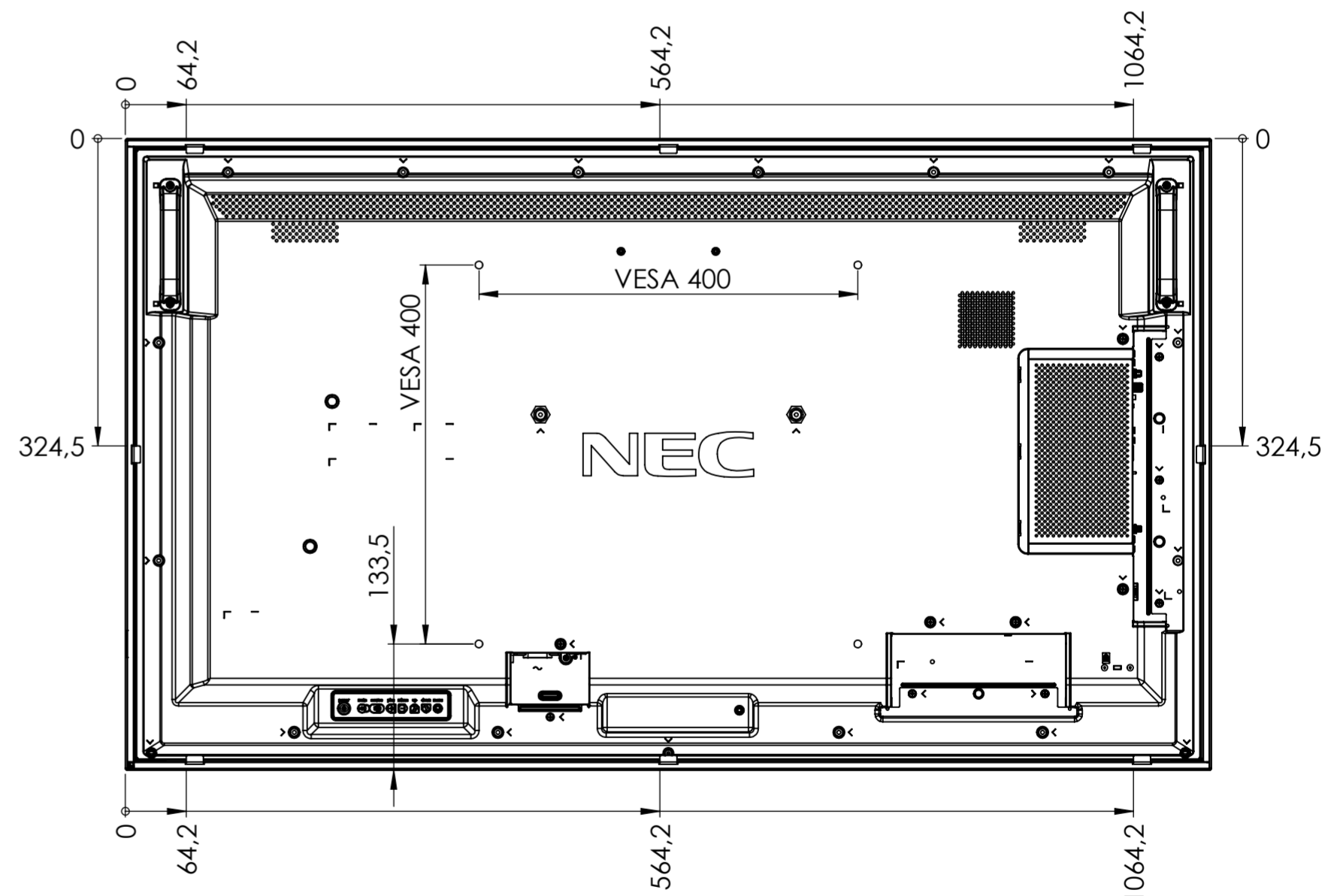
Front View



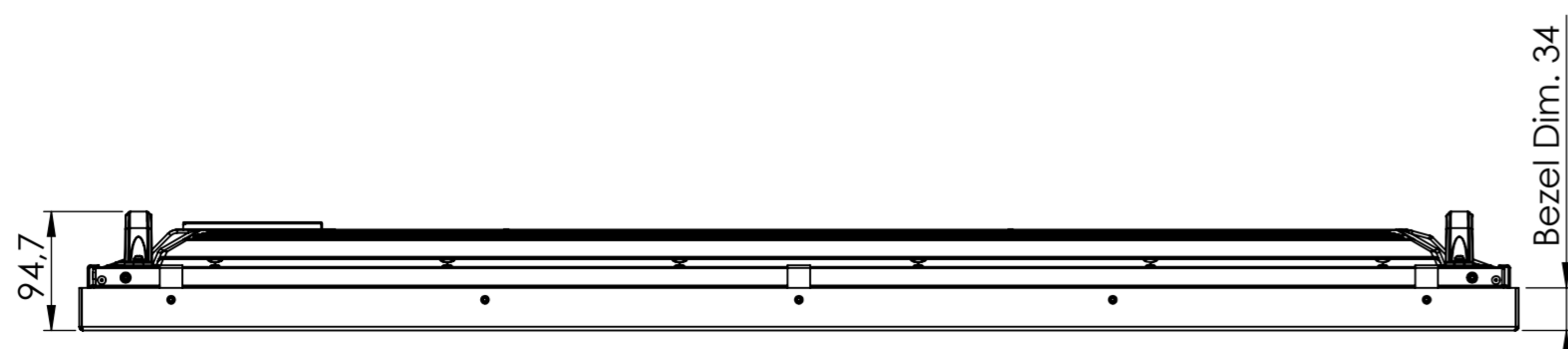
Right Side View



Left Side View



Rear View



Top View

No.	TITLE	QTY	DRW. NO. / STANDARD NO.	MATERIAL	WEIGHT
UNLESS OTHERWISE SPECIFIED: DIMENSION ARE IN MILLIMETERS: TOLERANCES: +/- 0,1mm ANGULAR: MACH +/- 30'		File Owner: U-Touch POLAND ul. Kroczywiech 60B, 32-500 Chrzanów POLAND All rights reserved. Copying contents without the owner's express consent is forbidden.		DO NOT SCALE DRAWING	CORRECTION
DREW by	NAME	SIGNATURE	DATE	TITLE:	
APPROVED	Piotr Pastrozny		1.12.2022	TM A 5023 NEC ME501 + IR Touch Overlay	
REVISION	No revision				
LAST FILE SAVED DATE:		1.12.2022		PROJECT DESCRIPTION:	
COMMENTS:		Drw no 1/1.12.2022			
WEIGHT:		SCALE: 1:1		SHEET 1/1	

12 11 10 9 8 7 6 5 4 3 2 1