



HAI0136DE

136" LED ALL-IN-ONE DISPLAY

Create the ultimate immersive AV experience for your boardroom with the Hisense All-In-One LED display. Equipped with Hisense's unique ASIC picture quality solution for precision dimming it controls each LED pixel to accurately express brightness and chromaticity information. Delivering vivid detail and unrivalled colour depth, the All-in-one 136" LED display will provide finishing touch to any quality meeting space.

Highlights



Ultra Picture Quality Chip

Relying on Hisense's super picture quality chip, supported by powerful algorithms, colour enhancement, multi-grayscale correction, MEMC, HDR, SR super resolution four major picture quality technologies, the picture quality is more detailed and vivid.



Smart Display

Automatically adjust the brightness of the LED all-in-one screen according to the environment. Automatic all-round monitoring of the screen status. Up to three intelligent screen casting methods.



Stereo Surround Sound

Equipped with 60W built in speakers, Dolby & DTS audio dual decoding, impactful bass and crisp treble to create a truly immersive stereo surround sound.



Flexibility

Supporting VisionInfo which provides the capability to control and manage devices through cloud-based systems, enabling end-to-end device management and control.



Energy Saving

With our efficient power supply and 3-in-1 minimalist ASIC architecture, along with common-negative driver and super energy-saving algorithms, we have significantly reduced energy consumption, aiding in minimizing environmental impact. Additionally, our advanced technology allows us to maintain a maximum temperature of 40°C for the screen body, ensuring users enjoy a comfortable and safe experience when close to the screen. This not only enhances user comfort but also prolongs the display's lifespan. Overall, our commitment to innovation and sustainability enables us to create a high-performance display solution that prioritizes energy efficiency and user comfort.



Specifications

Physical

Pixel Pitch	1.5625mm
Pixel Configuration	Flip-Chip COB (1 Red, 1 Green, 1 Blue)
Screen Resolution (WxH)	1920 x 1080
Module Dimensions (WxH)	150 x 337.5mm / 5.9 x 13.3 inch
No. of Modules Per Screen (WxH)	20 x 5 (Total 100 Pcs LED Modules)
Screen Dimensions (WxHxD) *With Screen Frame	3004 x 1774.5 x 32.3mm* 118.3 x 69.9 x 1.27 inch*
Product Dimensions (With Mobile Cart) *With Screen Frame	3004 x 2439.5 x 903.7mm* 118.3 x 96.04 x 35.57 inch*
Panel/Cabinet Dimensions (WxHxD)	600 x 337.5 x 32.3mm 23.6 x 13.3 x 1.27 inch
Weight (per panel / screen)	4kg / 110kg // 8.82lbs / 242.55lbs
Pixel Density	409,600 pixels/m ²
Flatness of Cabinet (mm/inch)	±0.05mm
Cabinet Material	Die-cast Aluminium
Grey Level	14 bits
Aspect Ratio	16:9
Service Access	Front

Optical

Brightness (max./peak.)	1,000 / 1,600 nits
Contrast Ratio	40,000:1 (According to current Hisense test environment)
Visual Viewing Angle (HxV)	165° x 150°
Brightness Uniformity	95%
Colour Uniformity	±0.003 Cx,Cy
Processing Depth	14 bits
Colour Temp - Default (Adjustable)	6500 K (2,000 ~ 9,300 K)

Electrical

Power Supply Voltage	100-240V, 50/60Hz
Average Power Consumption (W/Screen)	≤650@1,000nits / ≤350@600nits
Max Power Consumption (W/Screen)	≤1900@1000nits / ≤980@600nits
Refresh Rate	3,840Hz (typ.) / up to 7,680Hz
WiFi	2.4G & 5G
Bluetooth	5.0
Input	HDMI(2.0) IN x3 (include 1 interal) USB2.0 x1 USB3.0 / Type-C (not full function) x1 RS-232 x1 (internal) LAN x1
Output	SPDIF x1 Audio Out x1

Operation Conditions

Operating Temp/Humidity	0 - 40°C / 10% - 90%RH (no frost)
Storage Temp/Humidity	-20 - 40°C / 10% - 65%RH (no frost)
Expected LED Lifetime (typ)	100,000 Hrs

Speaker

Built-in	10W x 6
External	3.5mm Audio external sound system connector (prior to the built-in sound system connector)

System

OS	Android 9.0
CPU	CA73*4 1.3GHz
GPU	G52 MC1
DDR	3GB
ROM	64GB
Language	Chinese / English (Default) / French / German / Spanish / Italian / Polish / Arabic / Russian

Package Solution 1 (Flight Case)

Packing Method	Flight case for Cabinets / Modules / Wall Bracket and Accessory
Packaging Dimensions (WxHxD)	1005 x 2055 x 765mm 39.56 x 80.90 x 30.12 inch
Net / Gross Weight (w Wall Bracket)	110kg / 200kg // 242.50lbs / 440.92lbs

Mobile Cart (Optional)

Packaging Method	Wooden Box (For Mobile Cart) (Option)
Packaging Dimensions (WxHxD)	2415 x 855 x 255mm 95.1 x 33.7 x 10inch
Net / Gross Weight	50kg / 90kg // 110.23lbs / 198.42lbs

Miscellaneous

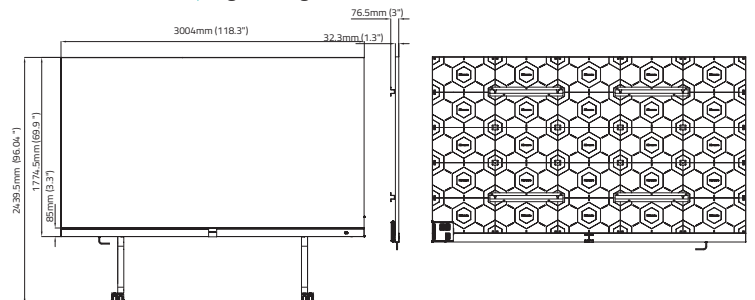
Curve Support (-:concave +:convex)	Flat, Flat
Controller	Embedded
Standard Accessory	User Manual / Remote Control / Battery / Vacuum Tool / Wall Bracket
Optical Accessory	Mobile Cart (LGT60401A) Hisense Dongle (HT002A) Camera (HMC03-1080P, 25M) OPS (S02BDS7AA21E/5A811E)

Certification

Standard Certification	CE, CB, FCC, cTUVus
------------------------	---------------------

Dimensions

136" | 3004 x 1774.5 x 32.3mm / 118.3 x 69.9 x 1.27 inch
4kg / 110kg // 8.82lbs / 242.55lbs



* Product specifications may vary per region, and specifications are subject to change. This material may include corporate names and trademarks of third parties which are the properties of the third parties respectively.