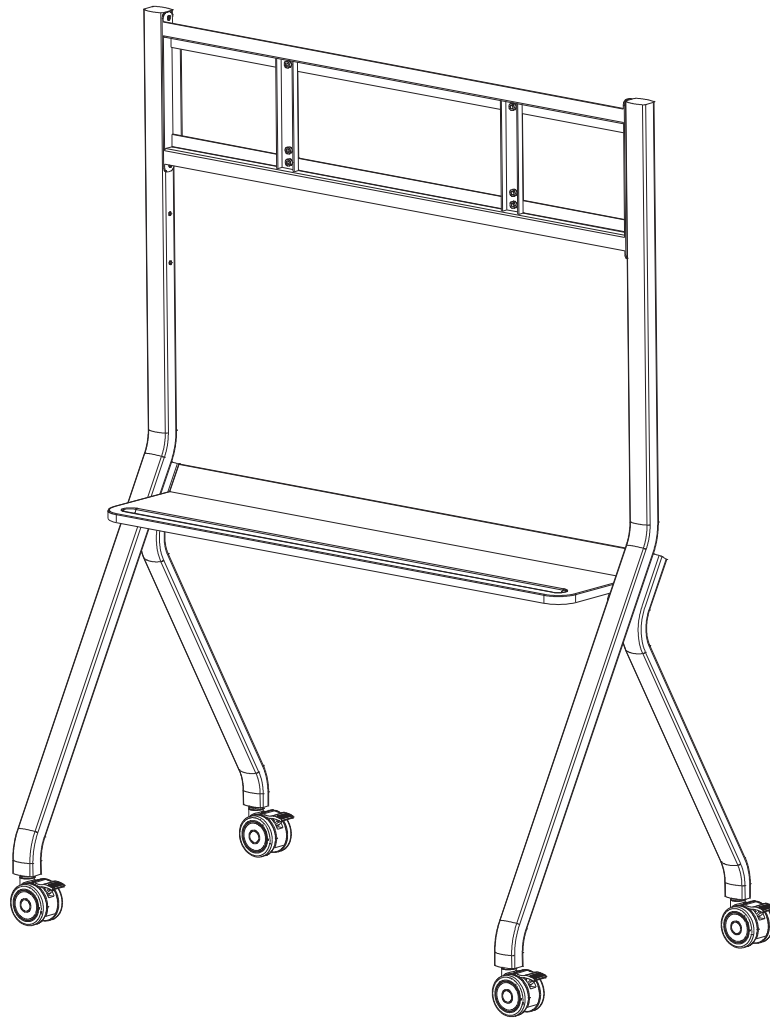


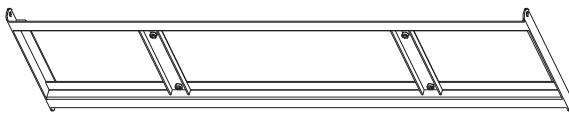
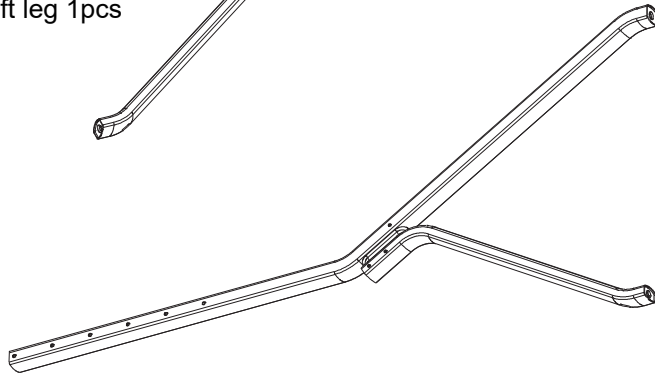
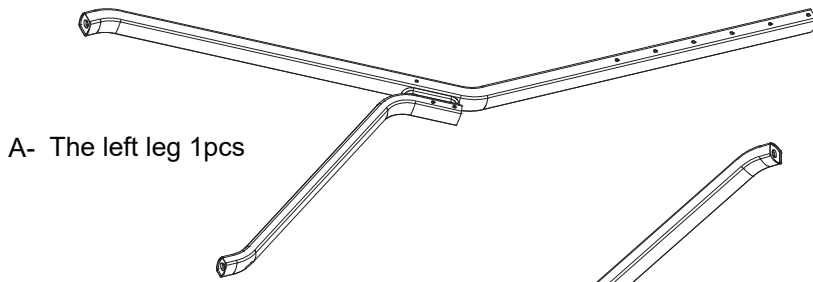
MC086C user manual







Model: MC086C Mobile bracket

- To ensure correct and safe use, please read this manual carefully before installation.
- This model is suit for 55-86 inch smart board.
- The maximum load of this support is 100KG.

● **Materials List**



Other accessories (unit: mm):

① Hexagon head screw	M8×25	14pcs	
② M12 gasket		4pcs	
Prepare for yourself		1pcs	
Prepare for yourself		1pcs	

Step 1: Adjust the wheel to the brake position and screw it into the leg.(Refer to figure 1) :

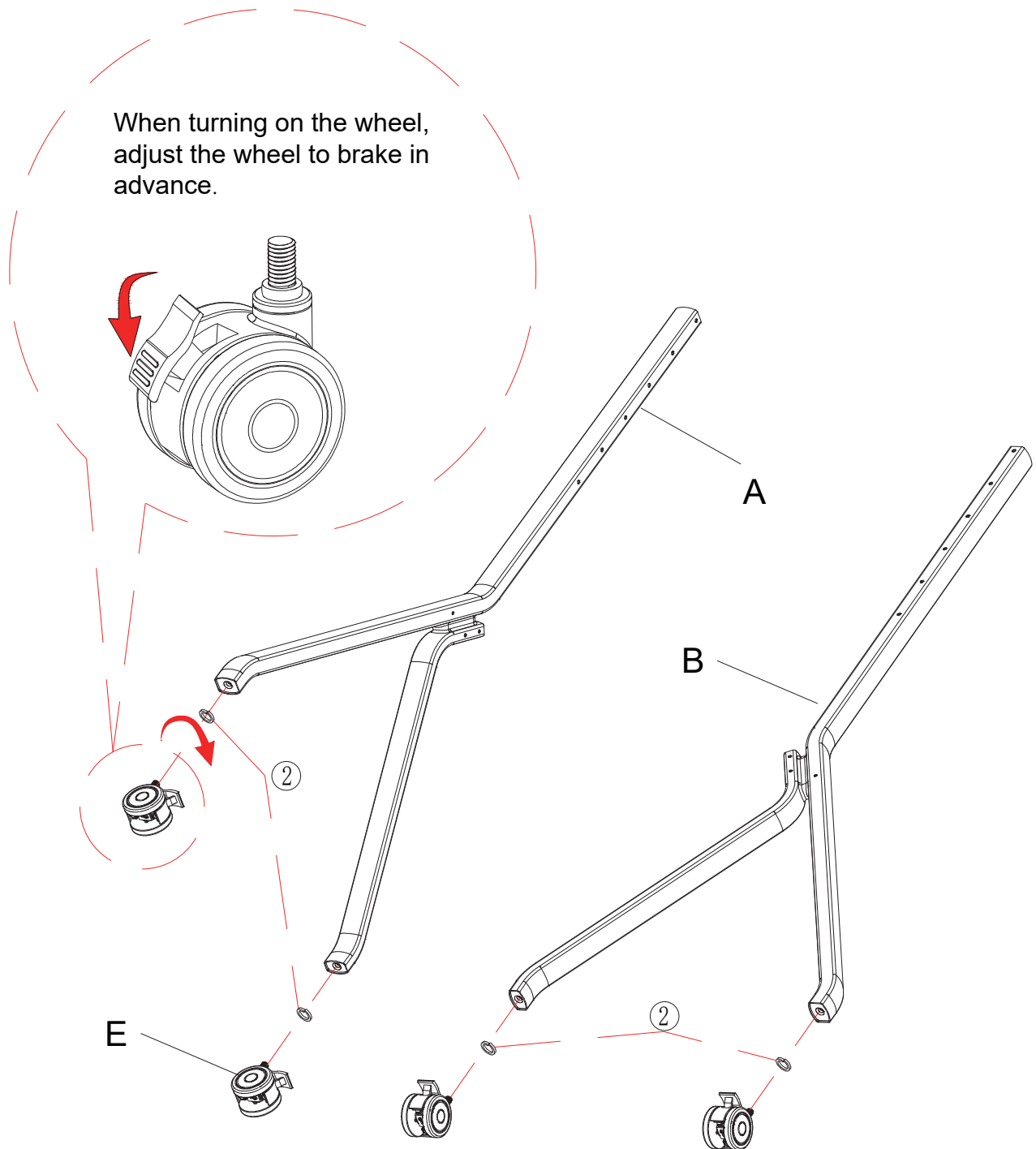


FIG 1

Step 2: Attach the wall hanger bracket lock to one end of the leg.(Refer to figure 2)

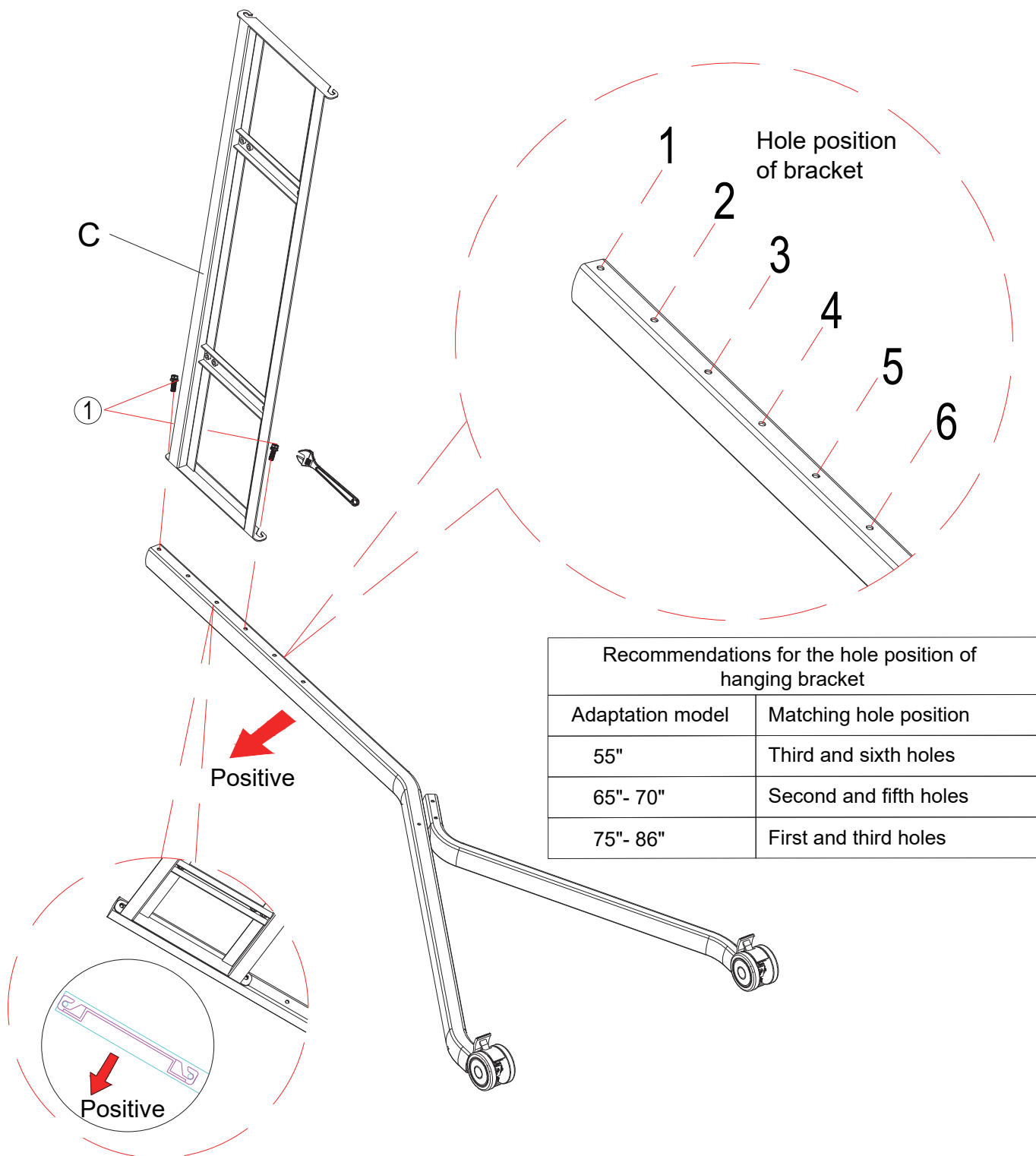


FIG 2

**Step 3: Attach another leg lock to the other end of the wall hanger bracket.
(Refer to figure 3)**

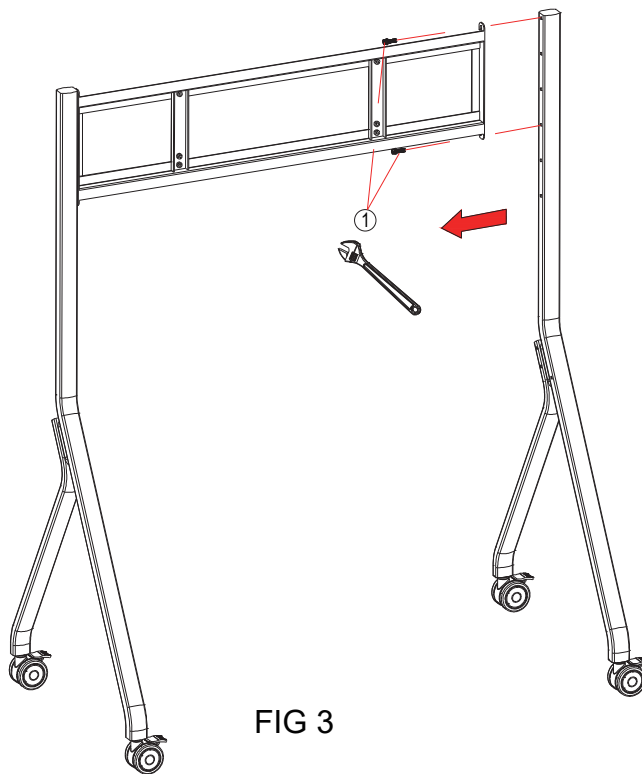


FIG 3

Step 4: Assemble the tray between the two columns.(Refer to figure 4)

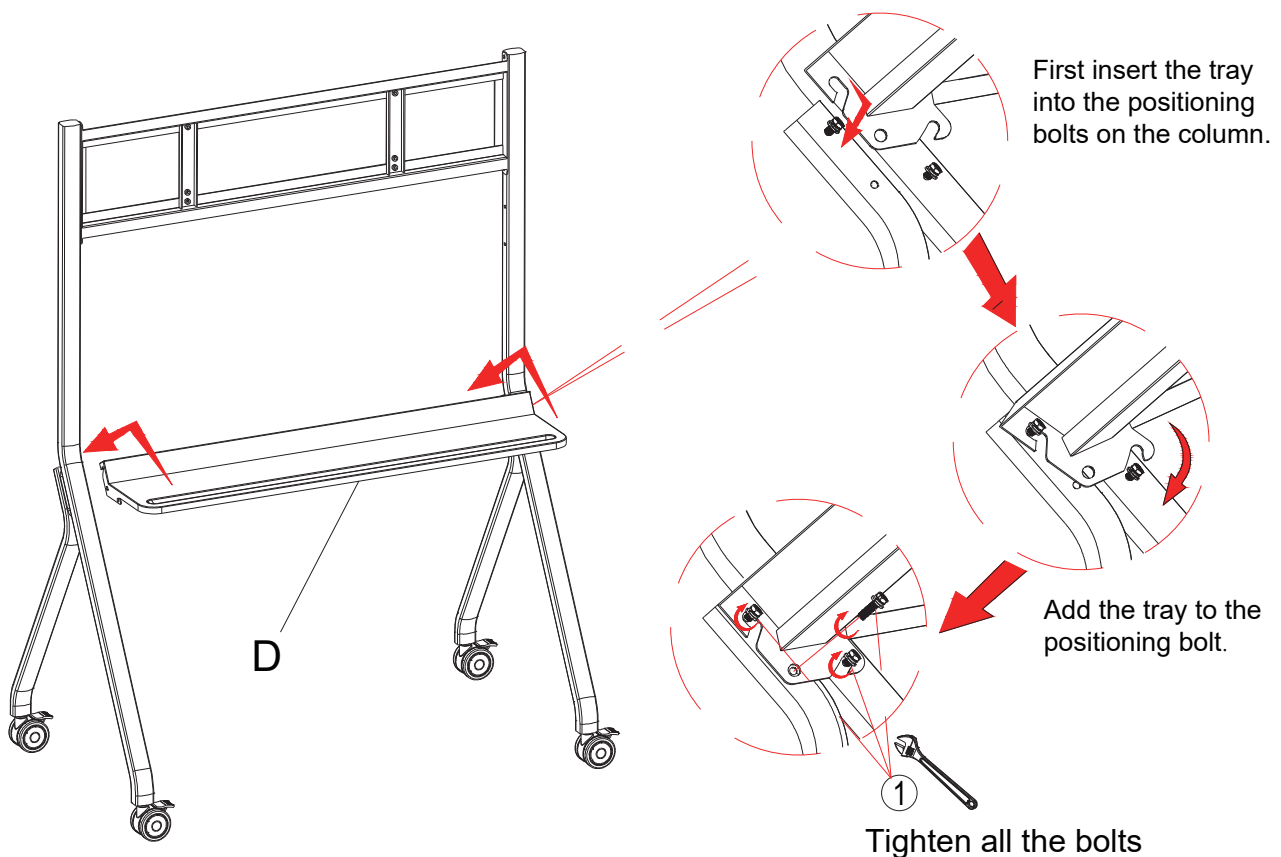


FIG 4

Step 5: Lock the wall hangers on the whole machine according to the actual requirements of the whole machine.(Refer to figure 5)

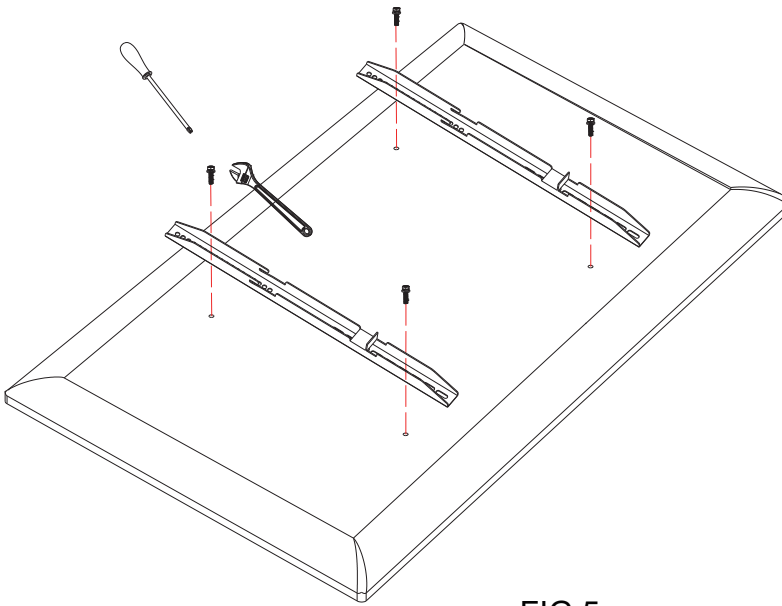


FIG 5

Step 6: Hang the assembled whole machine on the wall hanging bracket and lock the safety screw of the wall hanging bar.(Refer to figure 6)

⚠ Make sure the brakes are locked. At least 2 professionals are required to complete this step.

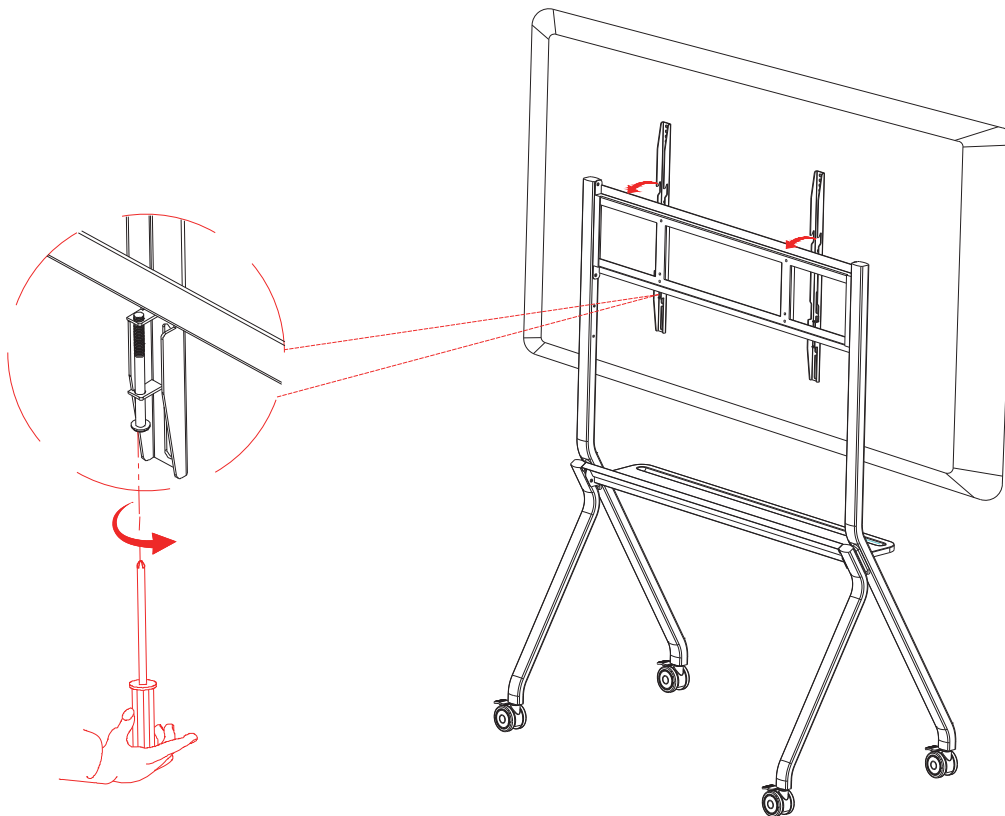
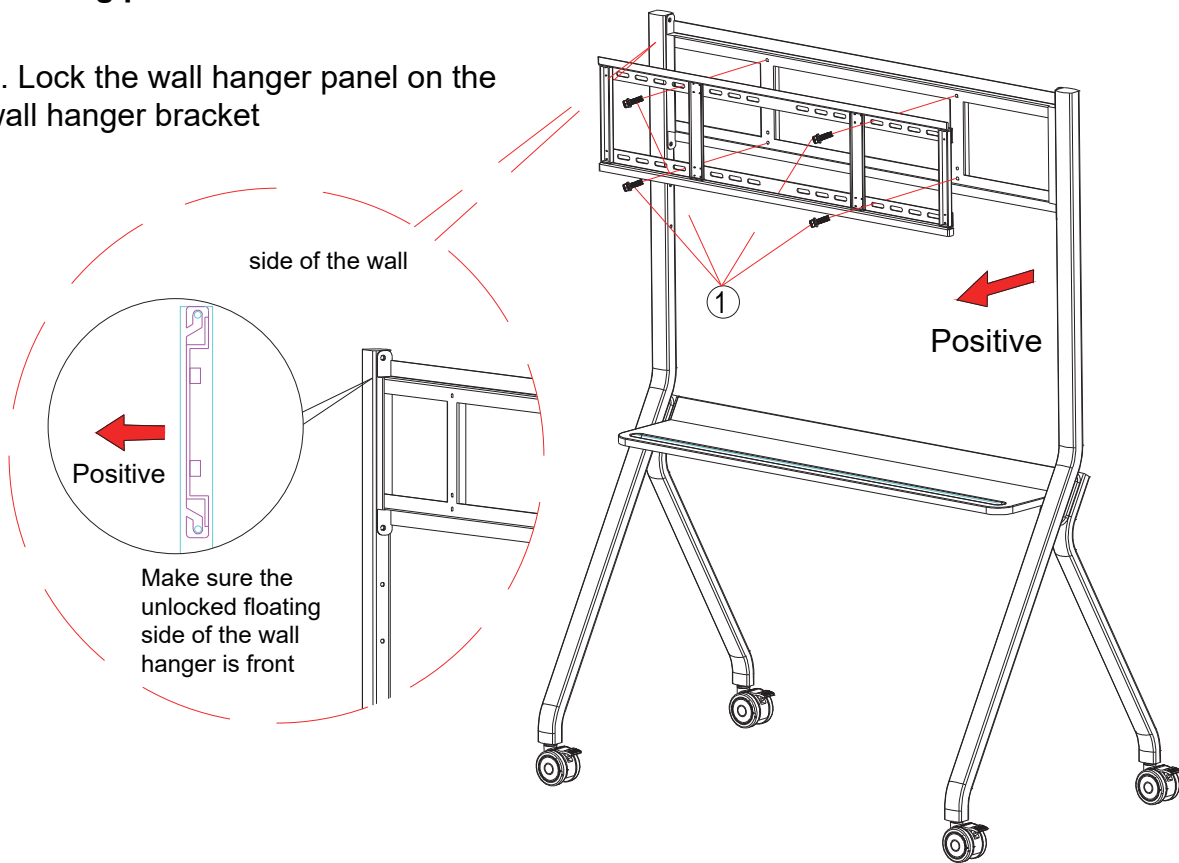


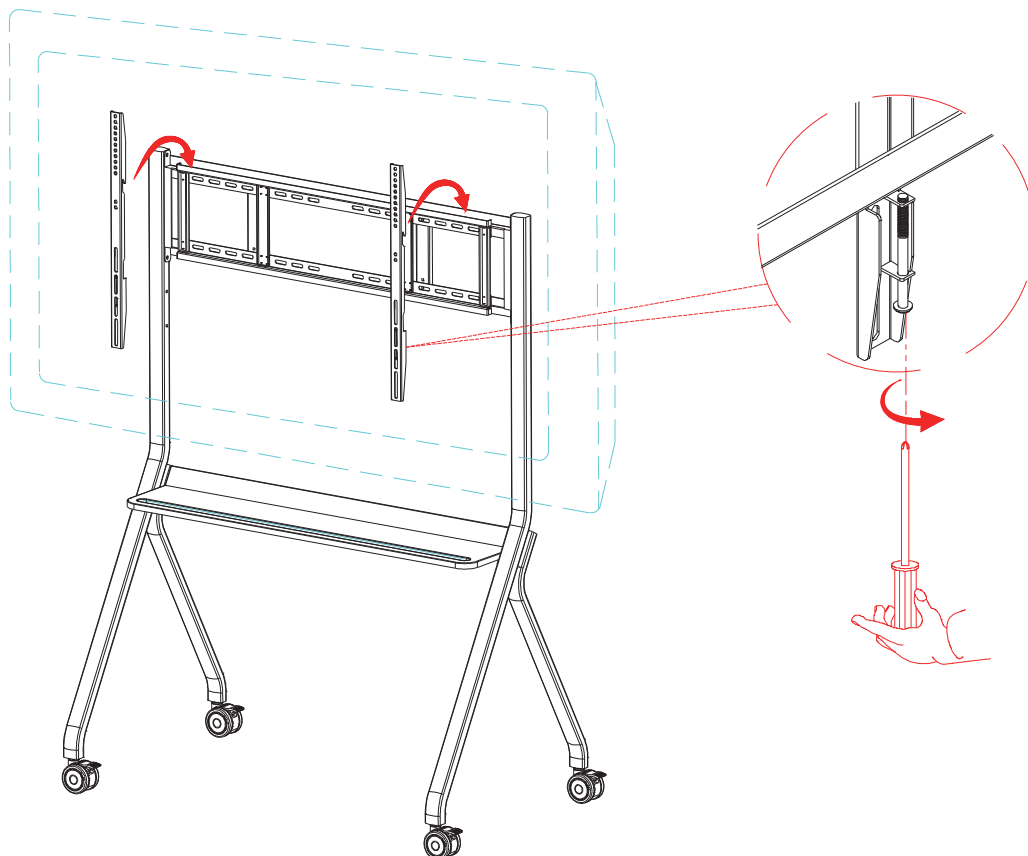
FIG 6

Remark: In some cases, the built-in hangers of the whole machine cannot be effectively matched to the foot rack, so the hangers need to be matched with the wall hangers. The fitting process is as follows

1. Lock the wall hanger panel on the wall hanger bracket



2. Hang the whole machine on the wall and lock the safety bolt



Step10: After the assembly effect, refer to the below picture.

