



- + Capacity: 36 bottles*:
 - upper part: 24 bottles
 - lower part: 12 bottles
- + Built-in column
- + Design: black body & black piano organic glass door frame
- + Cooling system: compressor
- + Type of cold: air moving system
- + Adjustable temperature ranges of use:
 - upper part: 5°-12°C
 - lower part: 12°-20°C
- + Electronic regulation
- + Thermometer with white electronic display
- + White LED lights with switch button
- + Humidity control: water tray
- + 1 glass door, anti-UV treated, 3-layers tempered glass (grey-colored)

Electronic push to open with no capacity loss.

New multi-position shelves: showcase at it's best of your bottles in your kitchen.



Eco-responsibility

Our products are manufactured in compliance with European environmental rules. Especially, refrigerant fluid (R600a) doesn't reject neither CFC nor HFC and respect environment.

Energy consumption is calculated based on the result obtained for 24h in standard test conditions. The actual energy consumption depends on the conditions of use and location of the device.

This equipment is designed to be used in an ambient temperature between 16°-32°C.

This appliance is intended to be used exclusively for the storage of wine.

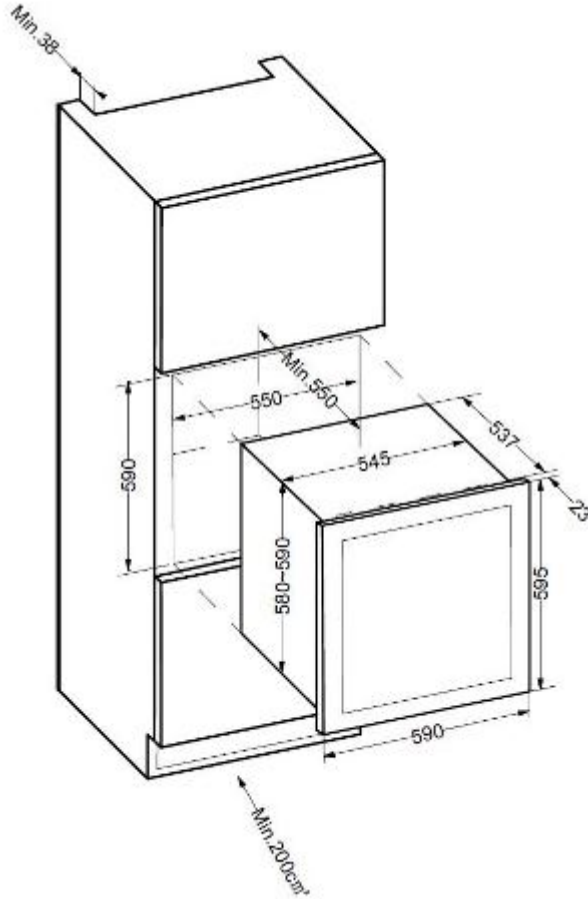
Alcohol abuse is dangerous for health, please consume in moderation.

*Capacity given as an indication with 75cl Bordeaux traditional type bottles and measured with 2 shelves. Adding shelves reduce considerably the total capacity.

Cabinet that is installed in a *niche for conventional built-in* oven, characterized by its standard size: **60 H x 60 W cm.**

Thanks to *door* and *temperature alarms*, offer the best protection to your bottles of wine.

Reference: AVI60PREMIUM
2-compartments service wine cabinet
Built-in column range



> EQUIPMENTS INCLUDED

- 2 sliding wooden shelves
- 1 sliding wooden half-shelf
- 4 adjustable feet (height 1 cm)
- Anti-vibration system

> TECHNICAL CHARACTERISTICS

- Energy class: G
- Annual electrical consumption: 142 kWh
- Climatic class: N
- Noise level: 39 dB
- EEI: 171.00
- Voltage: 220-240 V
- Power input: 60 W
- Category: 2 - Wine cellar
- Type of gas: R600a

> SAFETY

- **Visual and audible alarms:** notify you when your attention is required

> LOGISTIC DATAS

| | |
|-----------------------------|--------------------|
| Gross dimensions (WxDxH cm) | : 65,6 x 62 x 63,5 |
| Net dimensions (WxDxH cm) | : 59 x 56 x 59,5 |
| Gross weight (kg) | : 36.00 |
| Net weight (kg) | : 33.00 |
| Full truck (pcs) | : 120 |
| Container (pcs) | 20' : 81 |
| | 40' : 162 |
| | 40' HC : 216 |

Gencod 3595320106053

> COMPATIBLE ACCESSORIES

Only available in spare parts